

DATA SHEET

For a complete data sheet, please also download:

- The IC04 LOCMOS HE4000B Logic Family Specifications HEF, HEC
- The IC04 LOCMOS HE4000B Logic Package Outlines/Information HEF, HEC

HEF4512B

MSI

8-input multiplexer with 3-state output

Product specification
File under Integrated Circuits, IC04

January 1995

8-input multiplexer with 3-state output

HEF4512B
MSI

DESCRIPTION

The HEF4512B is an 8-input multiplexer with 8 binary inputs (I_0 to I_7), an enable input (\bar{E}) and an output enable input (\bar{EO}). One of eight binary inputs is selected by select inputs S_0 , S_1 and S_2 , and is routed to the output O. A HIGH on \bar{EO} causes O to assume a high impedance OFF-state, regardless of other input conditions. This allows the output

to interface directly with bus oriented systems (3-state). When the active LOW enable (\bar{E}) is HIGH, it forces the output LOW provided \bar{EO} is LOW. By proper manipulation of the inputs, the device can provide any logic functions of four variables. It cannot be used to multiplex analogue signals.

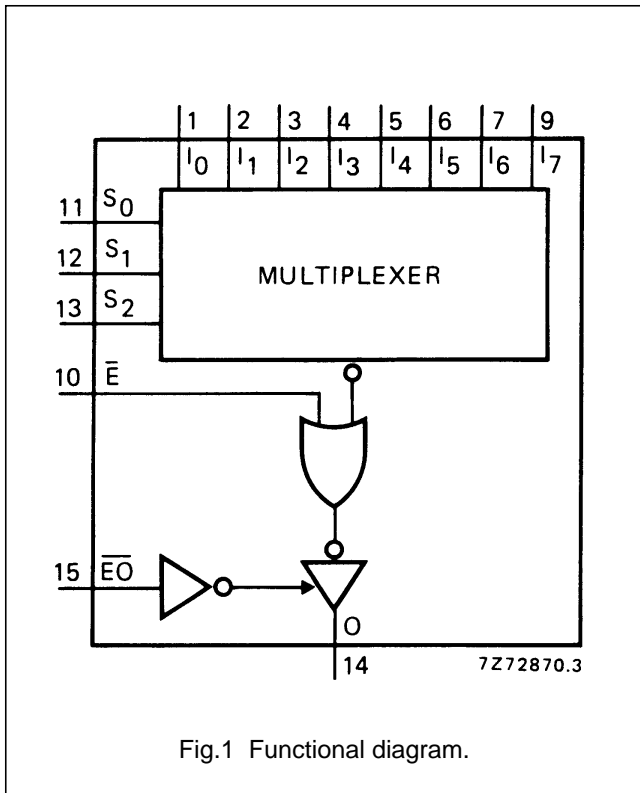


Fig.1 Functional diagram.

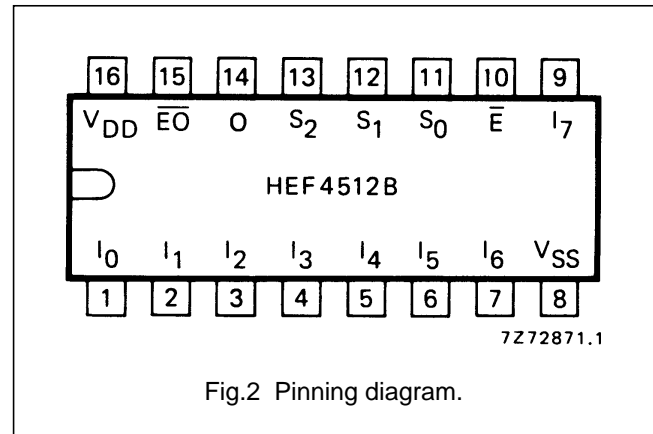


Fig.2 Pinning diagram.

- HEF4512BP(N): 16-lead DIL; plastic (SOT38-1)
- HEF4512BD(F): 16-lead DIL; ceramic (cerdip) (SOT74)
- HEF4512BT(D): 16-lead SO; plastic (SOT109-1)
- (): Package Designator North America

PINNING

- S_0, S_1, S_2 select inputs
- \bar{EO} output enable (active LOW)
- \bar{E} enable (active LOW)
- I_0 to I_7 multiplexer inputs
- O multiplexer output

FAMILY DATA, I_{DD} LIMITS category MSI

See Family Specifications

8-input multiplexer with 3-state output

HEF4512B
MSI

7272869.1

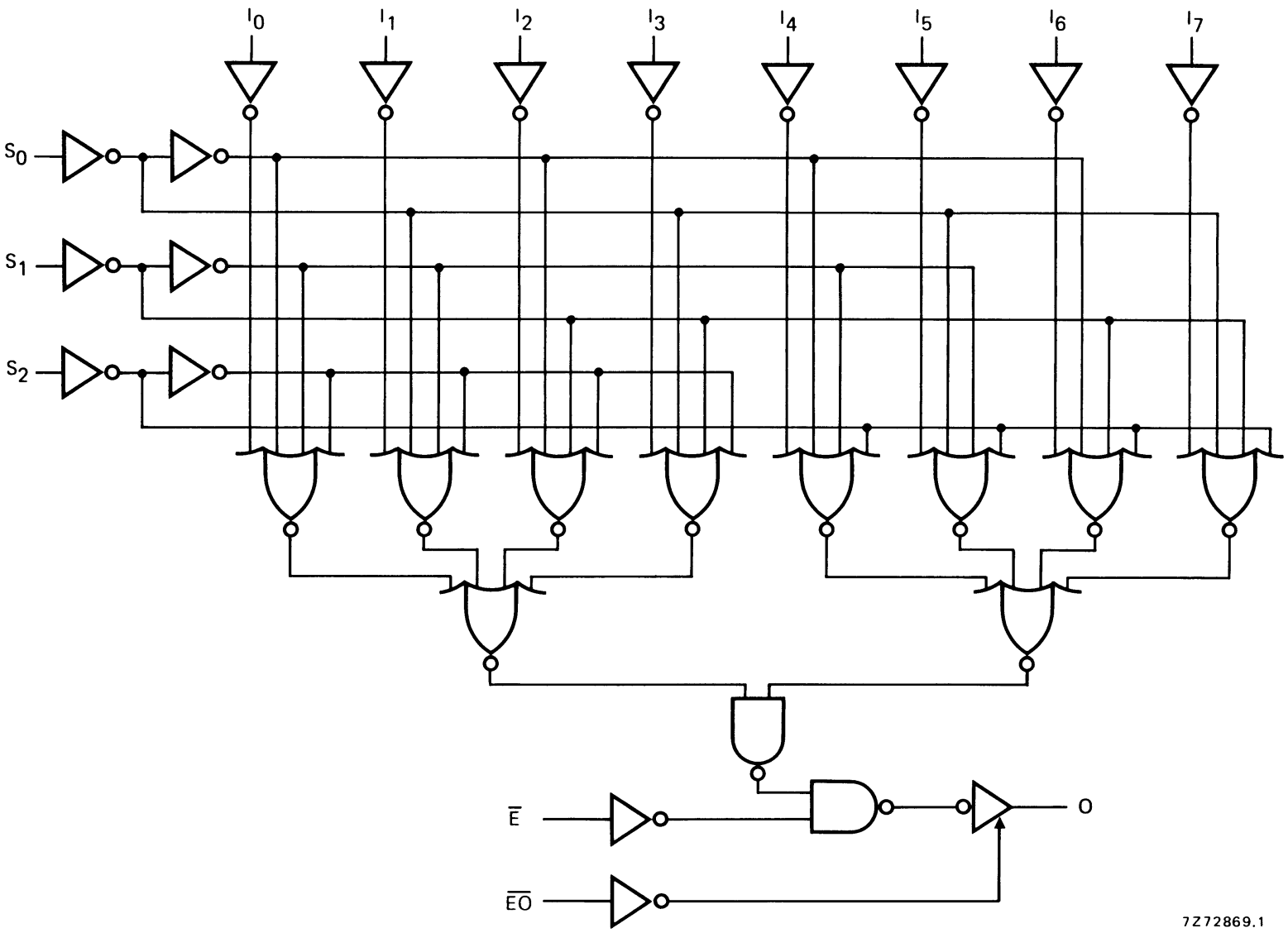


Fig.3 Logic diagram.

8-input multiplexer with 3-state output

HEF4512B
MSI

TRUTH TABLE

| INPUTS | | | | | | | | | | | | | OUTPUT |
|-----------------|----------------|-------|-------|-------|-------|-------|-------|-------|-------|-------|-------|-------|--------|
| \overline{EO} | \overline{E} | S_2 | S_1 | S_0 | I_0 | I_1 | I_2 | I_3 | I_4 | I_5 | I_6 | I_7 | O |
| L | H | X | X | X | X | X | X | X | X | X | X | X | L |
| L | L | L | L | L | L | X | X | X | X | X | X | X | L |
| L | L | L | L | L | H | X | X | X | X | X | X | X | H |
| L | L | L | L | H | X | L | X | X | X | X | X | X | L |
| L | L | L | L | H | X | H | X | X | X | X | X | X | H |
| L | L | L | H | L | X | X | L | X | X | X | X | X | L |
| L | L | L | H | L | X | X | H | X | X | X | X | X | H |
| L | L | L | H | H | X | X | X | L | X | X | X | X | L |
| L | L | L | H | H | X | X | X | H | X | X | X | X | H |
| L | L | H | L | L | X | X | X | X | L | X | X | X | L |
| L | L | H | L | L | X | X | X | X | H | X | X | X | H |
| L | L | H | L | H | X | X | X | X | X | L | X | X | L |
| L | L | H | L | H | X | X | X | X | X | H | X | X | H |
| L | L | H | H | L | X | X | X | X | X | X | L | X | L |
| L | L | H | H | H | X | X | X | X | X | X | X | L | L |
| L | L | H | H | H | X | X | X | X | X | X | X | H | H |
| H | X | X | X | X | X | X | X | X | X | X | X | X | Z |

Notes

- 1. H = HIGH state (the more positive voltage)
- L = LOW state (the less positive voltage)
- X = state is immaterial
- Z = high impedance OFF-state

AC CHARACTERISTICS

$V_{SS} = 0\text{ V}$; $T_{amb} = 25\text{ }^\circ\text{C}$; input transition times $\leq 20\text{ ns}$

| | V_{DD} V | TYPICAL FORMULA FOR P (μW) | |
|---|---------------|---|---|
| Dynamic power dissipation per package (P) | 5 | $500 f_i + \sum (f_o C_L) \times V_{DD}^2$ | where f_i = input freq. (MHz) f_o = output freq. (MHz) C_L = load capacitance (pF) $\sum (f_o C_L)$ = sum of outputs V_{DD} = supply voltage (V) |
| | 10 | $2100 f_i + \sum (f_o C_L) \times V_{DD}^2$ | |
| | 15 | $5800 f_i + \sum (f_o C_L) \times V_{DD}^2$ | |

8-input multiplexer with 3-state output

HEF4512B
MSI

AC CHARACTERISTICS

 $V_{SS} = 0$ V; $T_{amb} = 25$ °C; $C_L = 50$ pF; input transition times ≤ 20 ns

| | V_{DD} V | SYMBOL | TYP. | MAX. | | TYPICAL EXTRAPOLATION FORMULA |
|----------------------------|---------------|-----------|------|------|----|----------------------------------|
| Propagation delays | | | | | | |
| $I_n \rightarrow O$ | 5 | | 100 | 200 | ns | 73 ns + (0,55 ns/pF) C_L |
| HIGH to LOW | 10 | t_{PHL} | 40 | 80 | ns | 29 ns + (0,23 ns/pF) C_L |
| | 15 | | 30 | 60 | ns | 22 ns + (0,16 ns/pF) C_L |
| LOW to HIGH | 5 | t_{PLH} | 100 | 200 | ns | 73 ns + (0,55 ns/pF) C_L |
| | 10 | | 40 | 80 | ns | 29 ns + (0,23 ns/pF) C_L |
| | 15 | | 30 | 60 | ns | 22 ns + (0,16 ns/pF) C_L |
| $S_n \rightarrow O$ | 5 | | 140 | 280 | ns | 113 ns + (0,55 ns/pF) C_L |
| HIGH to LOW | 10 | t_{PHL} | 55 | 110 | ns | 44 ns + (0,23 ns/pF) C_L |
| | 15 | | 40 | 80 | ns | 32 ns + (0,16 ns/pF) C_L |
| LOW to HIGH | 5 | t_{PLH} | 150 | 300 | ns | 123 ns + (0,55 ns/pF) C_L |
| | 10 | | 60 | 120 | ns | 49 ns + (0,23 ns/pF) C_L |
| | 15 | | 40 | 80 | ns | 32 ns + (0,16 ns/pF) C_L |
| $\bar{E} \rightarrow O$ | 5 | | 60 | 120 | ns | 33 ns + (0,55 ns/pF) C_L |
| HIGH to LOW | 10 | t_{PHL} | 25 | 50 | ns | 14 ns + (0,23 ns/pF) C_L |
| | 15 | | 20 | 40 | ns | 12 ns + (0,16 ns/pF) C_L |
| LOW to HIGH | 5 | t_{PLH} | 55 | 110 | ns | 28 ns + (0,55 ns/pF) C_L |
| | 10 | | 25 | 50 | ns | 14 ns + (0,23 ns/pF) C_L |
| | 15 | | 20 | 40 | ns | 12 ns + (0,16 ns/pF) C_L |
| Output transition times | | | | | | |
| HIGH to LOW | 5 | | 60 | 120 | ns | 10 ns + (1,0 ns/pF) C_L |
| | 10 | t_{THL} | 30 | 60 | ns | 9 ns + (0,42 ns/pF) C_L |
| | 15 | | 20 | 40 | ns | 6 ns + (0,28 ns/pF) C_L |
| LOW to HIGH | 5 | t_{TLH} | 60 | 120 | ns | 10 ns + (1,0 ns/pF) C_L |
| | 10 | | 30 | 60 | ns | 9 ns + (0,42 ns/pF) C_L |
| | 15 | | 20 | 40 | ns | 6 ns + (0,28 ns/pF) C_L |
| 3-state propagation delays | | | | | | |
| Output disable times | | | | | | |
| $\bar{E}O \rightarrow O$ | 5 | | 35 | 70 | ns | |
| HIGH | 10 | t_{PHZ} | 20 | 40 | ns | |
| | 15 | | 15 | 30 | ns | |
| LOW | 5 | t_{PLZ} | 35 | 70 | ns | |
| | 10 | | 15 | 30 | ns | |
| | 15 | | 10 | 20 | ns | |
| Output enable times | | | | | | |
| $\bar{E}O \rightarrow O$ | 5 | | 35 | 70 | ns | |
| HIGH | 10 | t_{PZH} | 15 | 30 | ns | |
| | 15 | | 10 | 20 | ns | |

8-input multiplexer with 3-state output

HEF4512B
MSI

| | V _{DD} V | SYMBOL | TYP. | MAX. | | TYPICAL EXTRAPOLATION FORMULA |
|-----|----------------------|------------------|------|------|----|----------------------------------|
| LOW | 5 | t _{PZL} | 35 | 70 | ns | |
| | 10 | | 20 | 40 | ns | |
| | 15 | | 15 | 30 | ns | |

APPLICATION INFORMATION

Some examples of applications for the HEF4512B are:

- Signal gating
- Digital multiplexing
- Number sequence generation

8-input multiplexer with 3-state output

HEF4512B
MSI

TRUTH TABLE for Fig. 4

| A ₄ | A ₃ | A ₂ | A ₁ | A ₀ | INPUT CONN. TO OUTPUT |
|----------------|----------------|----------------|----------------|----------------|-----------------------|
| L | L | L | L | L | 0 |
| L | L | L | L | H | 1 |
| L | L | L | H | L | 2 |
| L | L | L | H | H | 3 |
| L | L | H | L | L | 4 |
| L | L | H | L | H | 5 |
| L | L | H | H | L | 6 |
| L | L | H | H | H | 7 |
| L | H | L | L | L | 8 |
| L | H | L | L | H | 9 |
| L | H | L | H | L | 10 |
| L | H | L | H | H | 11 |
| L | H | H | L | L | 12 |
| L | H | H | L | H | 13 |
| L | H | H | H | L | 14 |
| L | H | H | H | H | 15 |
| H | L | L | L | L | 16 |
| H | L | L | L | H | 17 |
| H | L | L | H | L | 18 |
| H | L | L | H | H | 19 |
| H | L | H | L | L | 20 |
| H | L | H | L | H | 21 |
| H | L | H | H | L | 22 |
| H | L | H | H | H | 23 |
| H | H | L | L | L | 24 |
| H | H | L | L | H | 25 |
| H | H | L | H | L | 26 |
| H | H | L | H | H | 27 |
| H | H | H | L | L | 28 |
| H | H | H | L | H | 29 |
| H | H | H | H | L | 30 |
| H | H | H | H | H | 31 |

