

## OL-5016GD1C- B

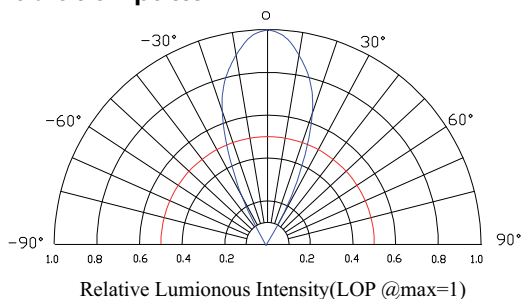
### Features:

- General purpose leads
- RoHs compliant.

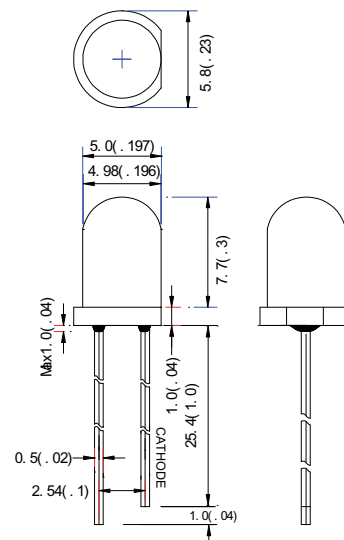
### Descriptions:

- Dice material: GaP
- Emitting Color: Green
- Operating voltage range: 3V-10V DC
- Blinking frequency: 2.4Hz (VDD=5V)
- Device Outline:  $\Phi$ 5mm Round Type.
- Lens Type: Green diffused.

### Radiation pattern.



### Package configuration



- ◆ All dimensions are millimeters (inches)
- ◆ Tolerance is  $\pm 0.25\text{mm}(.010\text{'})$  unless otherwise noted.

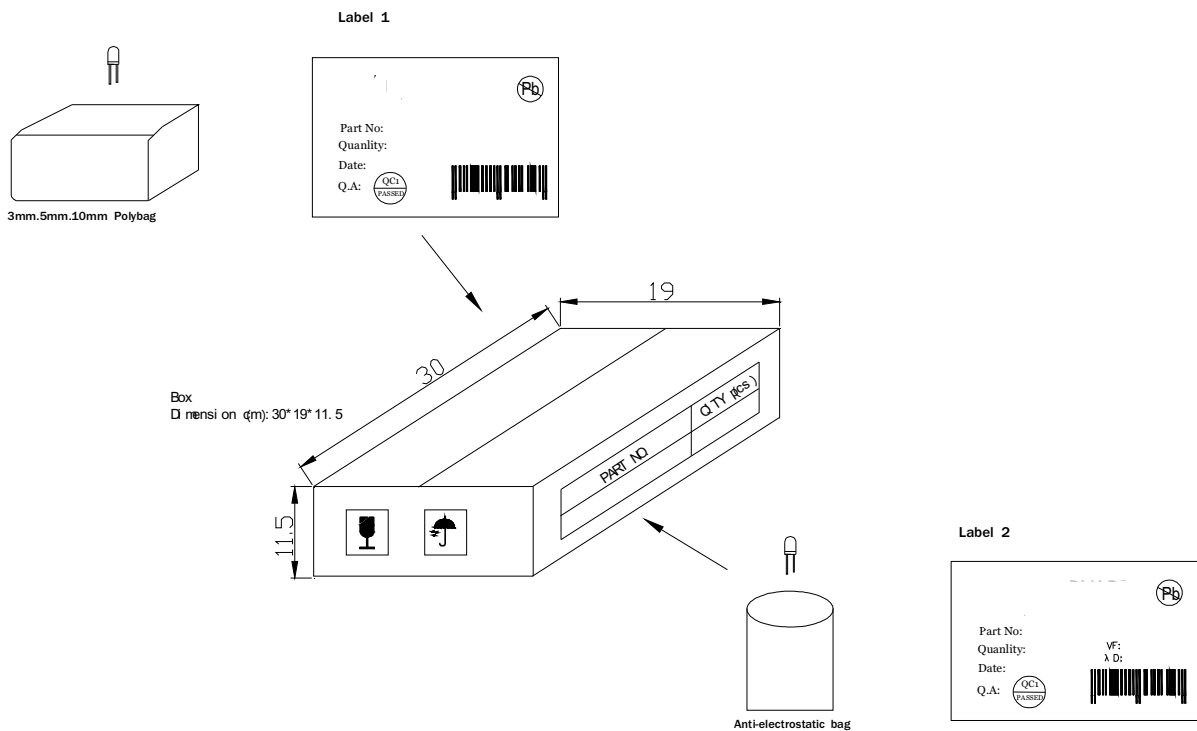
### Absolute maximum ratings( $T_a=25^\circ\text{C}$ )

Parameter	MAX.	Unit
Power Dissipation	180	mW
Peak Forward Current (1/10 Duty Cycle, 0.1ms Pulse Width)	160	mA
Continuous Forward Current	45	mA
Derating Linear From 50 $\square$	0.4	mA / $\square$
Reverse Voltage	5	V
Operating Temperature Range	-30 $^\circ$ to +80 $^\circ$	
Storage Temperature Range	-40 $^\circ$ to +100 $^\circ$	
Lead Soldering Temperature[4mm(.157") From Body]	260 $^\circ$ for 5 Seconds	

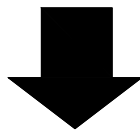
### Electrical and optical characteristics( $T_a=25^\circ\text{C}$ )

Parameter	Symbol	Min.	Typ.	Max.	Unit	Test Condition
Luminous Intensity	$I_v$		35			IF=20mA
Viewing Angle	$2\theta_{1/2}$	-	45	-	Deg	
Peak Emission	$\lambda_p$	563	568	573	nm	
Dominant Wavelength	$\lambda_d$	565	570	575	nm	
Forward Voltage	V <sub>F</sub>		7		V	
Output sink Current	I <sub>sink</sub>	-	45	-	mA	
Output source Current	I <sub>source</sub>		25			
Blinking Frequency	F <sub>blk</sub>	2	2.4	2.8	HZ	VDD=5V

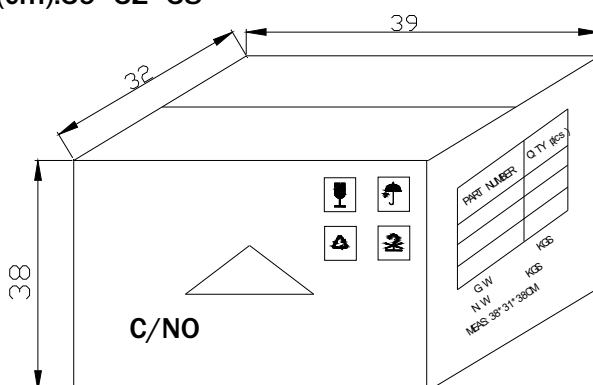
## LAMP PACKING.



DEVICE	QTY/polybag(pcs)	Polybag/box A	Fig
5mm(T-1 3/4)	1000	8 bags	Label 1
3mm(T-1)	1000	10 bags	Label 1
10mm(T-1)	250	8 bags	Label 1
Blue/Green/White	500	8 bags	Label 2



**CARTON**  
Dimension(cm):39\*32\*38



**6 Boxes/Carton**  
**5mm:48,000pcs**  
**3mm:60,000pcs**  
**10mm:12,000pcs**  
**Blue/Pure Green/bluish Green**  
**/White:24,000pcs**