

## Highlights

- Multiple sensor design (up to 8 heads for 1 box)
- Plug & Play (automatic head detection from the box)
- Broad measurement range covered by one single model
- Short wavelength heads for high temperatures
- Dedicated 5 µm head for measuring of glass
- Extended temperature range for LT head up to 1000°C
- Laser sighting for 1M/2M sensing heads
- Spot sizes down to 0,5 mm (with Close Focus Lens)
- Fast 10 ms response time
- Industrial rugged head cable (PUR): Silicone and Halogen free, resistant against oil, bases, and acids
- Networkable OEM head model (without a box)

# MI3 Heads

## Datasheet



### Measurement Specifications

<b>Temperature Range</b>	
LT02, LT10	-40 to 600°C
LT20, LTF	0 to 1000°C
G5	250 to 1650°C
1M	500 to 1800°C
2M	250 to 1400°C
<b>Spectral Response</b>	
LT	8 – 14 µm
G5	5 µm
1M	1 µm
2M	1.6 µm
<b>Optical Resolution<sup>1</sup></b>	
LTS (standard)	2:1, 10:1, 22:1 typ., 21:1 guaranteed
LTF (fast)	10:1
G5	22:1 typ., 21:1 guaranteed
1M, 2M	100:1
SF1 Optics	2 mm spot @ 200 mm distance
SF3 Optics	22 mm spot @ 2200 mm distance
<b>Accuracy<sup>2</sup></b>	
LT, G5	±(1% of reading or 1°C) <sup>3,4</sup>
1M, 2M	±(0.5% + 2°C)
<b>Repeatability</b>	
LT, G5	±0,5% of reading or ±0,5°C <sup>3</sup>
1M, 2M	±(0.25% + 1°C)
<b>Temperature Coefficient</b>	
LT, G5	±0,05K / K or ±0,05% / K of reading <sup>3</sup>
1M, 2M	±0,01% / K of reading
<b>Response Time<sup>5</sup></b>	
LTS (standard)	130 ms
LTF (fast)	20 ms
G5	55 ms
1M, 2M	10 ms

<sup>1</sup> 90% energy

<sup>2</sup> at ambient temperature 23°C ± 5°C, ε = 1.0, and calibration geometry

<sup>3</sup> whichever is greater

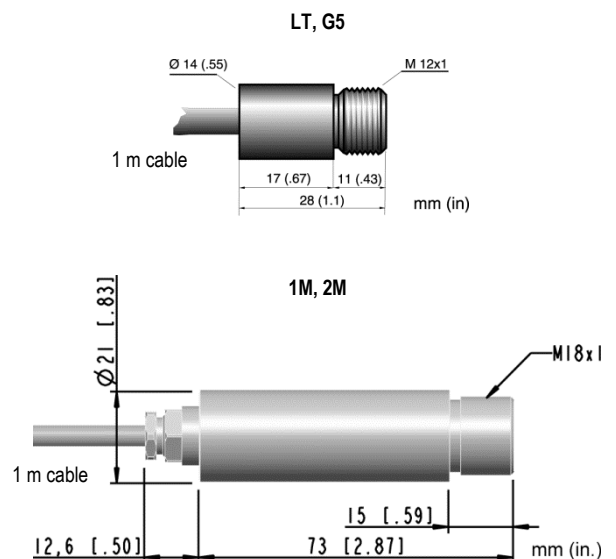
<sup>4</sup> ± 2°C for target temperatures < 20°C

<sup>5</sup> 90% value

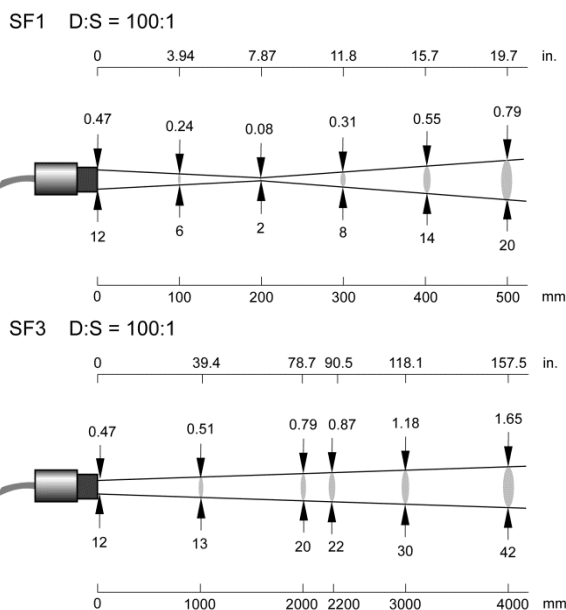
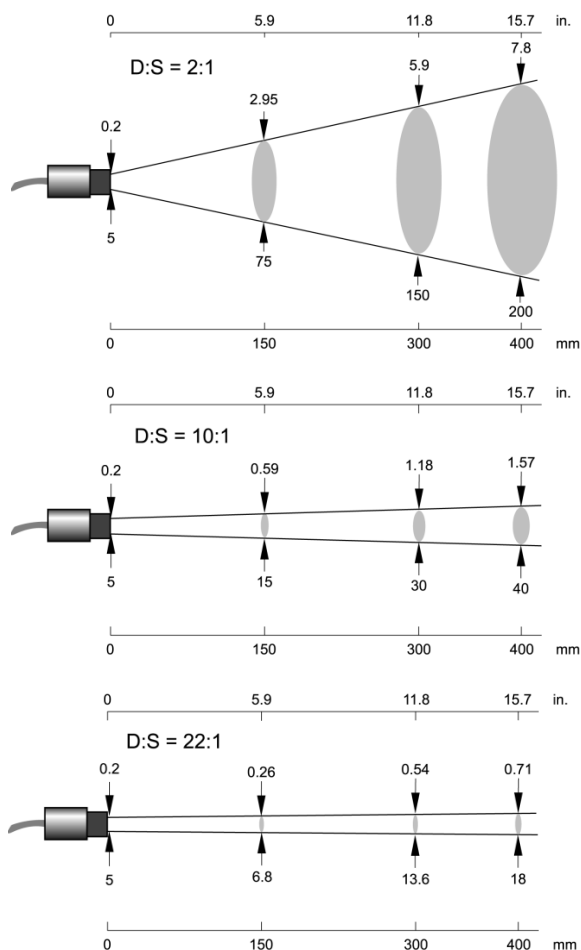
### General Specifications

<b>Ambient Temperature</b>	
LT, G5	-10 to 120°C
1M, 2M	0 to 120°C
Laser (1M, 2M)	automatic switch off at 65°C
<b>Storage Temperature</b>	
	-20 to 120°C
<b>Environmental Rating</b>	
	IP65
<b>EMC</b>	
	EN 61326-1:2006

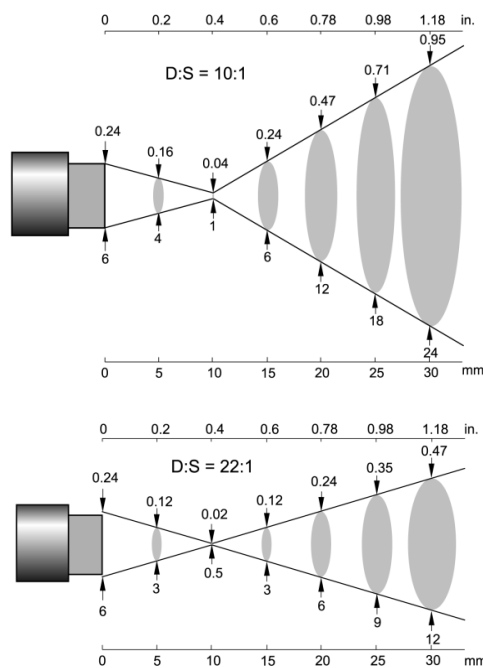
### Dimensions



## Optical Specifications (90% energy)



### Optical Charts for Close Focus Lens for LT, G5 heads (XXXMI3ACCFL)



## Options

Options must be specified at time of order.

- Longer head cable lengths: 3 m, 8 m, 15 m, 30 m
- Networkable OEM sensing head without the need for a box

## Accessories

Accessories include items that may be ordered at any time and added on-site:

- Adjustable Mounting Bracket  
XXXMIACAB for LT, G5 / XXXMI3100ADJB for 1M, 2M
- Air Cooling Jacket (XXXMIACCJ: 0.8 m, XXXMIACCJ1: 2.8 m) for ambient temperatures up to 200°C (LT, G5 only)

### Air Purge Jacket



for LT, G5 heads  
(XXXMIACAJ)



for 1M, 2M heads  
(XXXMI3100AP)

[www.raytek.com](http://www.raytek.com)

52201, Rev. C1, 03/2012 - Raytek and the Raytek logo are registered trademarks of Raytek Corporation. Specifications subject to change without notice. Raytek is ISO 9001 certified.

**Worldwide Headquarters**  
Santa Cruz, CA USA  
Tel: +1 831 458 - 3900  
+1 800 227 - 8074  
[solutions@raytek.com](mailto:solutions@raytek.com)

**United Kingdom**  
[ukinfo@raytek.com](mailto:ukinfo@raytek.com)

**European Headquarters**  
Berlin, Germany  
Tel: +49 30 47 80 08 0  
Fax: +49 30 4 71 02 51  
[raytek@raytek.de](mailto:raytek@raytek.de)

**France**  
[info@raytek.fr](mailto:info@raytek.fr)



**Raytek®**  
A Fluke Company