

D62-250

Diode

KKD62250, October 2006 version

Diodes type D62 are of modern design with internal spring loaded contacts and pressure welded glass-to-metal seal. Designed for use in power electronic circuits and equipment under normal operating conditions.

KEY PARAMETERS

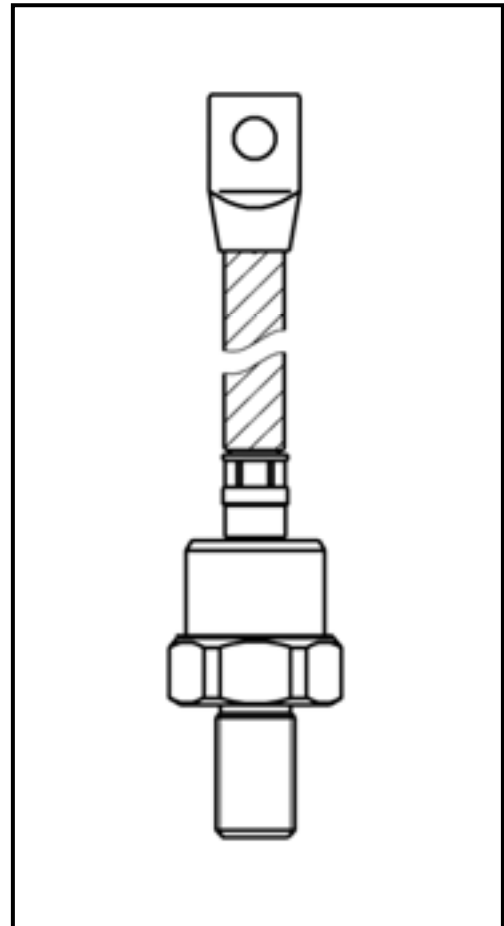
U_{RRM}	up to 1600 V
$I_{F(AV)}$	250 A
I_{FSM}	5500 A

FEATURES

- all diodes design
- high current capabilities
- high surge current capabilities
- high rates voltages
- low thermal impedance
- tested according to IEC standards
- compact size and small weight

APPLICATION

- High Voltage Power Supplies
- Motor Control
- Battery Chargers
- Free Wheeling Diode
- Resistance Welding



Outline type code: JEDEC DO-205AB

See package details for further information

Designed for use in high power industrial and commercial power electronic circuits and equipment where high currents are encountered and high reliability is essential.

D62-250

Diode

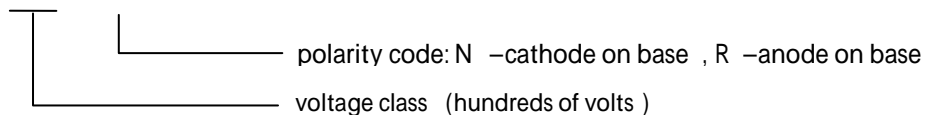
KKD62250, October 2006 version

ORDERING INFORMATION

When ordering please refer to device code builder presented below.

Please use the complete part number when ordering, quote or in any future correspondence relating to your order.

D62-250- - **0**



ELECTRICAL PARAMETERS

Voltage ratings

Voltage class	U_{RRM}	U_{RSM}	I_{RRM}
	V	V	mA
04	400	500	50
06	600	700	
08	800	900	
10	1000	1100	
12	1200	1300	
14	1400	1500	
16	1600	1700	

D62-250

Diode

KKD62250, October 2006 version

Electrical properties

Parameter	Unit	Test conditions	Value			
Average forward current @ case temperature	$I_{F(AV)}$	A	250			
	T_c	°C	<table border="1"> <tr> <td>$U_{RRM} \leq 1200V$</td> <td>140</td> </tr> <tr> <td>$U_{RRM} > 1200V$</td> <td>125</td> </tr> </table>	$U_{RRM} \leq 1200V$	140	$U_{RRM} > 1200V$
$U_{RRM} \leq 1200V$	140					
$U_{RRM} > 1200V$	125					
RMS forward current	$I_{F(RMS)}$	A	395			
Surge current	I_{FSM}	A	$T_j = T_{j,max}$, $U_R = 0,8U_{RRM}$, $t_p = 10ms$			
I^2t – value	I^2t	kA^2s	150			
Forward voltage drop max.	U_{FM}	V	$T_j = 25^\circ C$, $I_{FM} = 800A$			
Threshold voltage	$U_{F(T0)}$	V	0,70			
Slope resistance	r_F	m	1,22			

Thermal properties

Parameter	Unit	Test conditions	Value				
Thermal resistance, junction to case	R_{thJC}	°C/W	DC				
Thermal resistance, case to heatsink	R_{thCS}	°C/W					
Operating junction temperature	$T_{jmin} \dots T_{jmax}$	°C	<table border="1"> <tr> <td>$U_{RRM} \leq 1200V$</td> <td>-40...+190</td> </tr> <tr> <td>$U_{RRM} > 1200V$</td> <td>-40...+175</td> </tr> </table>	$U_{RRM} \leq 1200V$	-40...+190	$U_{RRM} > 1200V$	-40...+175
$U_{RRM} \leq 1200V$	-40...+190						
$U_{RRM} > 1200V$	-40...+175						
Storage temperature	T_{stg}	°C	-40...+190				

Mechanical properties

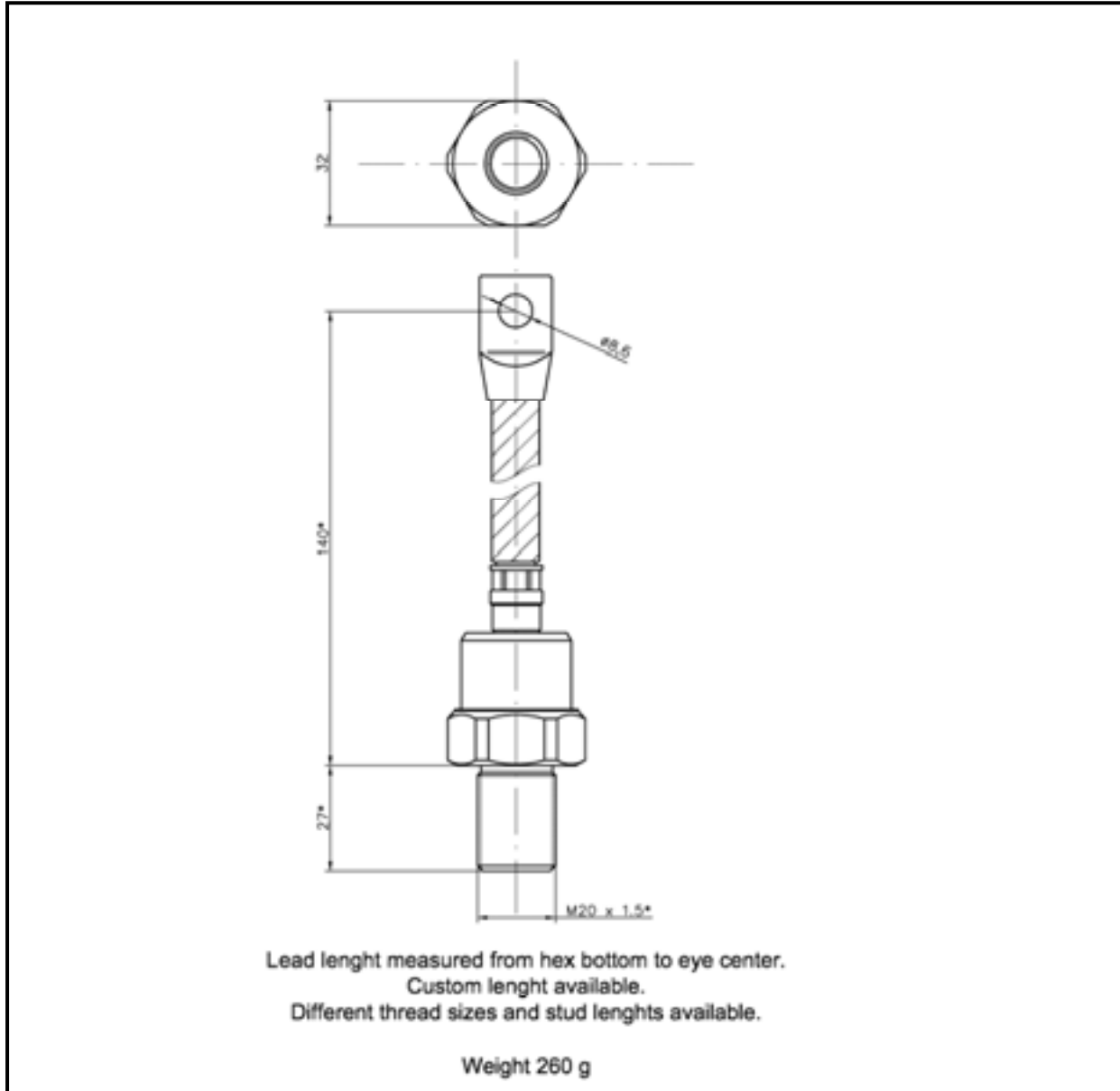
Parameter	Unit	Value
Mounting torque	M	Nm
Weight	m	g

D62-250

Diode

KKD62250, October 2006 version

Package details



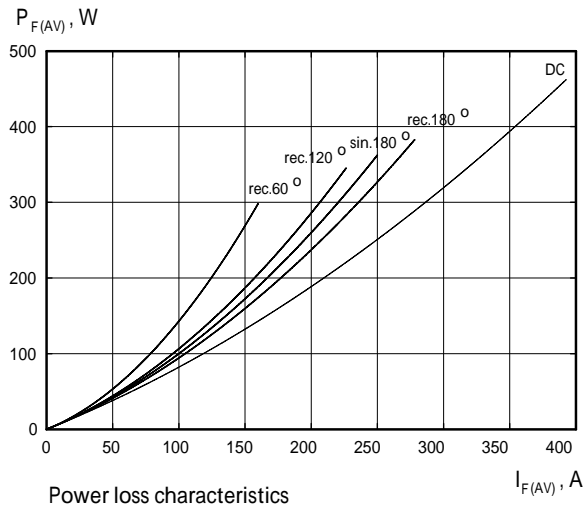
For further package information, please contact Sales & Marketing Department. All dimensions in mm, unless stated otherwise.
Do not scale.

D62-250

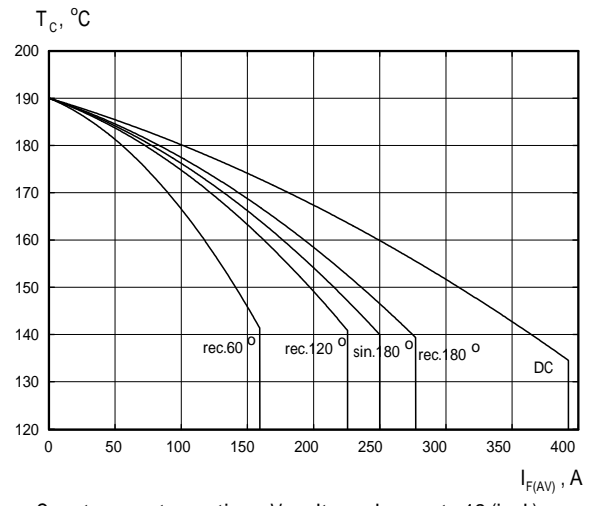
Diode

KKD62250, October 2006 version

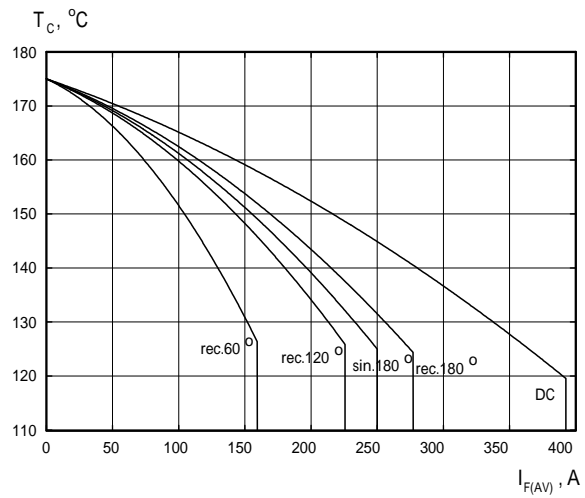
CHARACTERISTICS



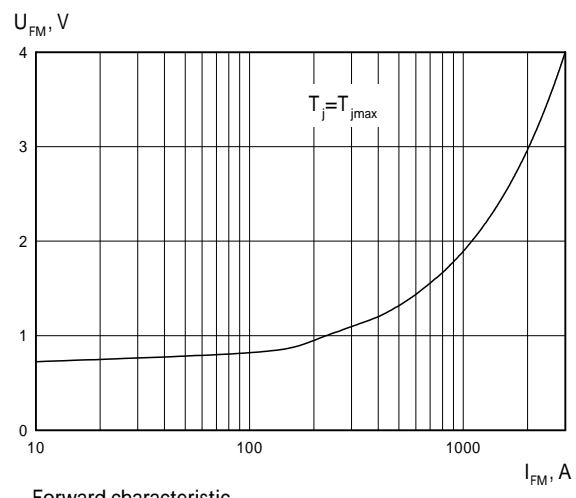
Power loss characteristics



Case temperature ratings. Voltage class up to 12 (incl.)



Case temperature ratings. Voltage class > 12



Forward characteristic

D62-250

Diode

KKD62250, October 2006 version

