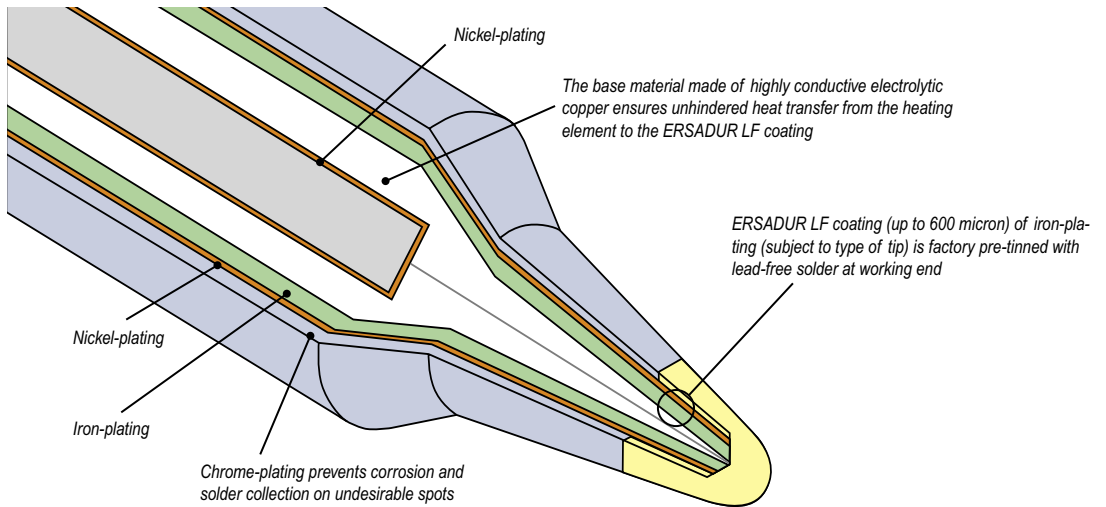


## ERSADUR Long-Life Soldering Tips



Cross-section of an ERSADUR soldering tip, non-scale representation

Conventional soldering tips can also be used for lead-free solders. Since lead-free soldering requires higher process temperatures, and due to the fact that lead-free solder is more aggressive to the soldering tip, the tip's service life is shorter. **ERSADUR LF soldering tips** have an increased layer of iron, which increases tip life. Consequently they are especially suitable for lead-free soldering.

## Special Care for Soldering Tips



### ERSA Dry Sponge

The ERSA Dry Sponge is included as a standard alternative to the wet sponge and can be beneficial especially for lead-free.

Hand soldering operators are happy when their soldering tips last a long time and continue to solder well. Soldering tips that do not allow the solder to melt rapidly due to excess oxidation clearly disrupt productivity! Special care of the soldering tip should be taken in order to solder efficiently.

#### Important Facts:

1. When a soldering tip remains hot for a long period of time, the tip will oxidize or blacken. An oxidized tip will no longer "wet" or melt solder properly.
2. The higher the working temperature of

the soldering tip, the faster this oxidation will take place and tip lifetime will be shorter.

3. Soldering irons that automatically go into a lower "stand-by" temperature increase tip life.
4. The oxidation of the tip will be very rapid if the tip is left "cooking" without molten solder covering the tip end. It happens, for example, if the tip is not wetted with solder right after cleaning it.
5. Excessive mechanical force during soldering will shorten the tip life.
6. Proper care of the tip will greatly increase tip life.

7. Lead-free soldering requires higher temperatures, is more aggressive to the tip and will always lead to shorter tip life.

#### Special Care:

1. Always clean the tip by wiping on a slightly wet sponge after each use. Alternatively, tips can be dry cleaned using the ERSA dry sponge.
2. Always put fresh solder onto the end of the tip BEFORE putting the tip back into the iron holder.
3. Always use lowest working temperature possible.
4. Never leave an iron "cooking" unattended for some time. Always set iron into automatic stand-by if possible or turn-off when not in use.
5. Never use excessive mechanical force when soldering.
6. Soldering tip oxidation can be easily removed if detected early. Early detection and removal will greatly increase tip life.
7. Tip oxidation removal or tip refurbishing is accomplished in 4 consecutive steps:
  - a. clean on damp sponge, b. clean with wire brush, c. using a Tip reactivator chemical, and d. re-tinning using proper flux cored solder wire.

Dry cleaning of soldering tips offers substantial advantages. The soldering tips are not cooled abruptly and contaminated tips resulting from dirty sponges are avoided. Due to the slightly abrasive properties of the special wire mesh, passive layers that accumulated on the tip can easily be removed. Tip life is thus increased considerably in lead-free hand soldering.

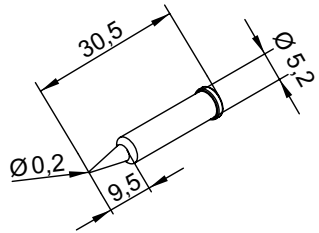


For:

- **i-CON**
- **i-CON2**  
with *i-Tool* soldering iron

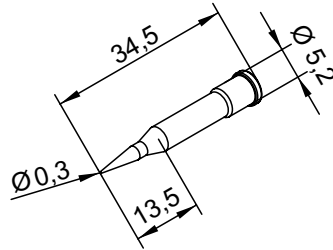
## 102 ERSADUR Long-Life Soldering Tip Series

**0102PDLF02**



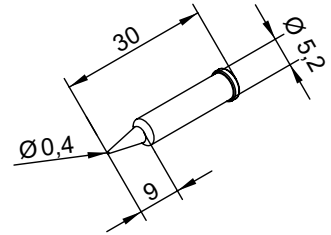
pencil point, 0.2 mm  $\varnothing$

**0102PDLF03L**



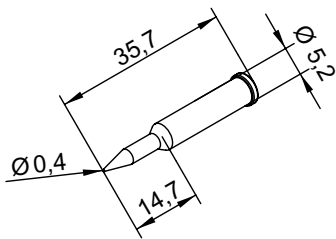
pencil point, extended 0.3 mm  $\varnothing$

**0102PDLF04**



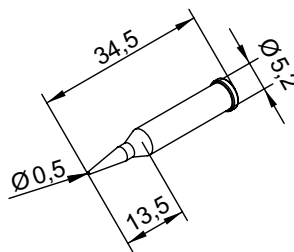
pencil point, 0.4 mm  $\varnothing$

**0102PDLF04L**



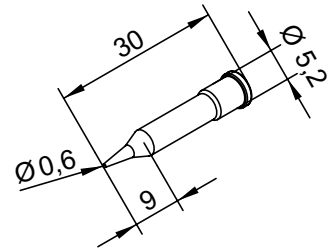
pencil point, extended, 0.4 mm  $\varnothing$

**0102PDLF05L**



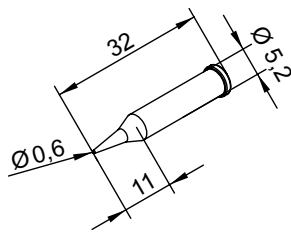
pencil point, extended 0.5 mm  $\varnothing$

**0102PDLF06**



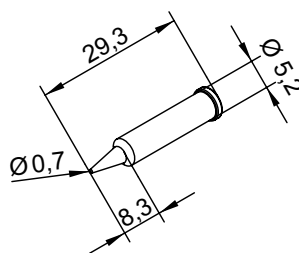
pencil point, 0.6 mm  $\varnothing$

**0102PDLF06L**



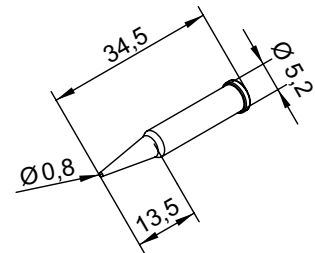
pencil point, extended, 0.6 mm  $\varnothing$

**0102PDLF07**



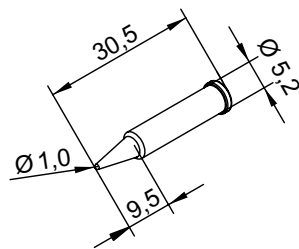
pencil point, 0.7 mm  $\varnothing$

**0102PDLF08L**



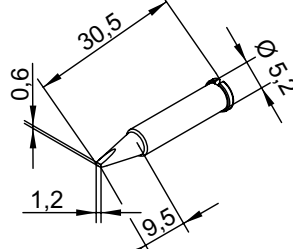
pencil point, extended, 0.8 mm  $\varnothing$

**0102PDLF10**



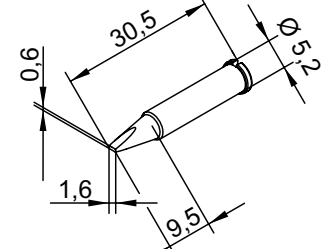
pencil point, 1.0 mm  $\varnothing$

**0102CDLF12**



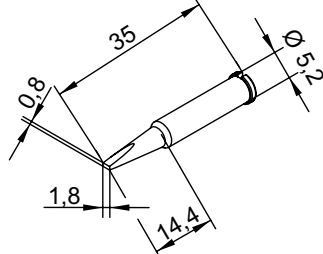
chisel-shaped, 1.2 mm

**0102CDLF16**



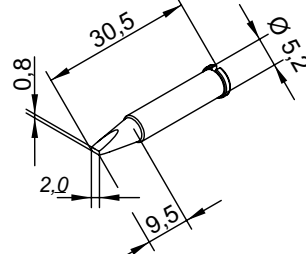
chisel-shaped, 1.6 mm

**0102CDLF18L**



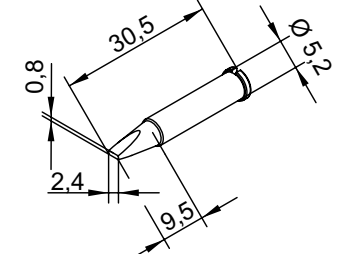
chisel-shaped, extended, 1.8 mm

**0102CDLF20**



chisel-shaped, 2.0 mm

**0102CDLF24**

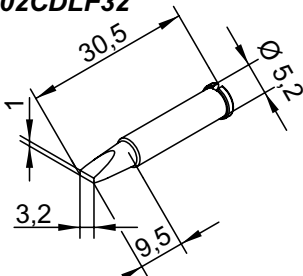
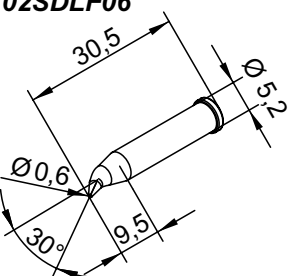
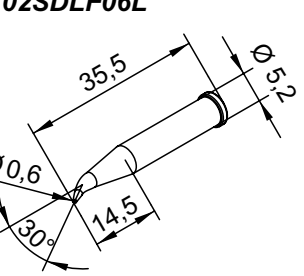
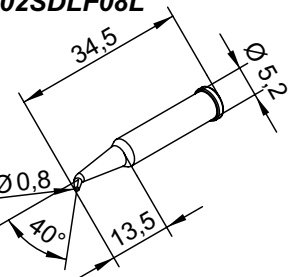
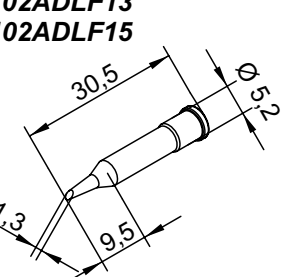
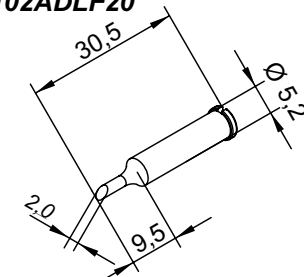
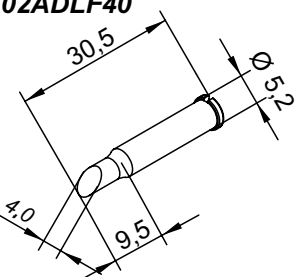
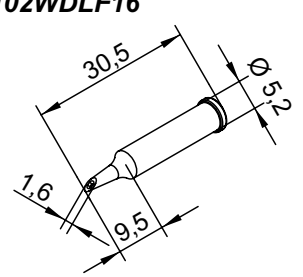
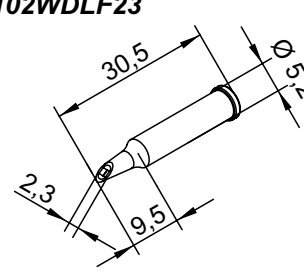
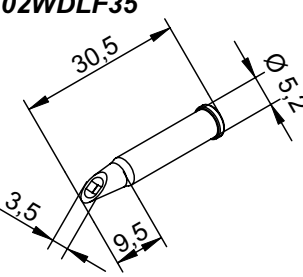
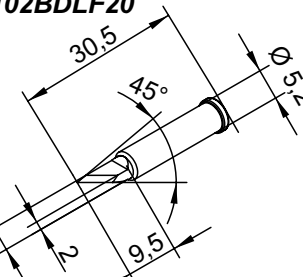
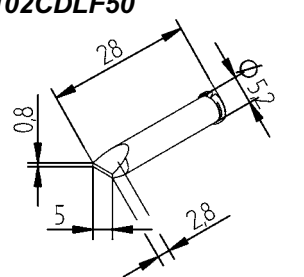
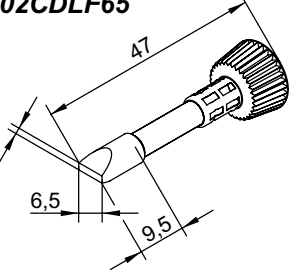
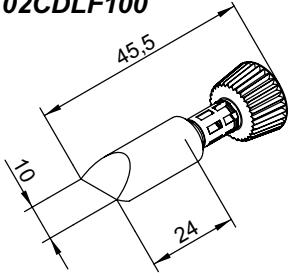
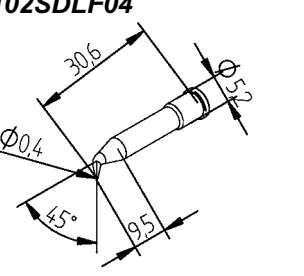


chisel-shaped, 2.4 mm

# 102 ERSADUR Long-Life Soldering Tip Series

**For:**

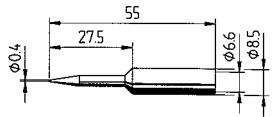
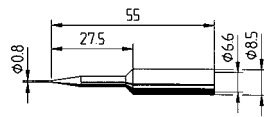
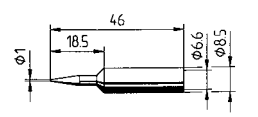
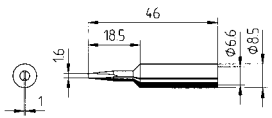
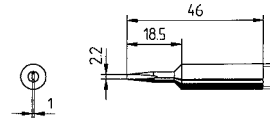
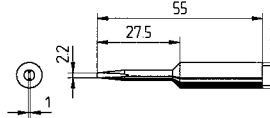
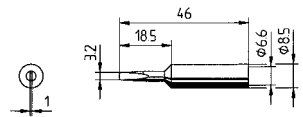
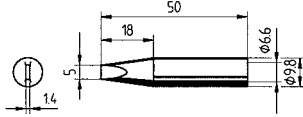
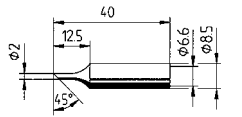
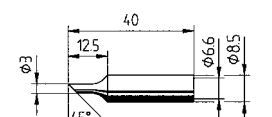
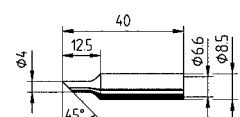
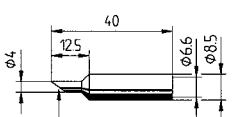
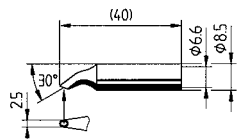
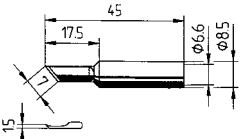
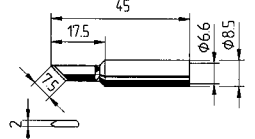
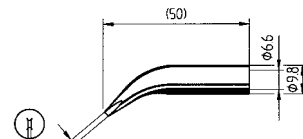
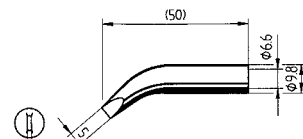
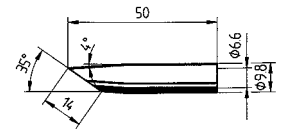
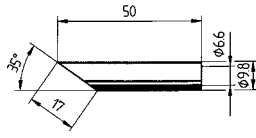
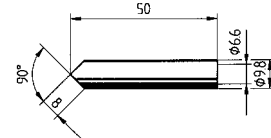
- **i-CON**
- **i-CON2**  
with i-Tool soldering iron

<p><b>0102CDLF32</b></p>  <p>chisel-shaped, 3.2 mm</p>	<p><b>0102SDLF06</b></p>  <p>pencil point, bent, 0.6 mm <math>\varnothing</math></p>	<p><b>0102SDLF06L</b></p>  <p>pencil point, bent, extended, 0.6 mm <math>\varnothing</math></p>
<p><b>0102SDLF08L</b></p>  <p>pencil point, bent, extended, 0.8 mm <math>\varnothing</math></p>	<p><b>0102ADLF13</b> <b>0102ADLF15</b></p>  <p>angled face, 1.3 mm <math>\varnothing</math> / angled face, 1.5 mm <math>\varnothing</math></p>	<p><b>0102ADLF20</b></p>  <p>angled face, 2.0 mm <math>\varnothing</math></p>
<p><b>0102ADLF40</b></p>  <p>angled face, 4.0 mm <math>\varnothing</math></p>	<p><b>0102WDLF16</b></p>  <p>PowerWell with concave portion, 1.6 mm <math>\varnothing</math></p>	<p><b>0102WDLF23</b></p>  <p>PowerWell with concave portion, 2.3 mm <math>\varnothing</math></p>
<p><b>0102WDLF35</b></p>  <p>PowerWell with concave portion, 3.5 mm <math>\varnothing</math></p>	<p><b>0102BDLF20</b></p>  <p>PLCC blade</p>	<p><b>0102CDLF50</b></p>  <p>chisel-shaped, 5.0 mm <math>\varnothing</math></p>
<p><b>0102CDLF65</b></p>  <p>chisel-shaped, 6.5 mm <math>\varnothing</math></p>	<p><b>0102CDLF100</b></p>  <p>chisel-shaped, 10.0 mm <math>\varnothing</math></p>	<p><b>0102SDLF04</b></p>  <p>pencil point, bent, 0.4 mm <math>\varnothing</math></p>

For:

## 832 ERSADUR Long-Life Soldering Tip Series

- **ANALOG 60 / 60 A**
- **ANALOG 80 / 80 A**
- **DIGITAL 80 A**
- **DIGITAL 2000 A**  
with Power Tool soldering iron
- **ELS 8000 / M / D**
- **MICRO-CON 60 iA**  
with Power Tool soldering iron
- **MS 6000**
- **MS 8000 / D**
- **Multi-Pro**
- **Multi-Sprint**
- **Multi-TC**
- **RDS 80**
- **TWIN 80 A**  
with Ergo Tool soldering iron

<p><b>0832 UDIUDLF</b></p>  <p><i>pencil point, extended 0.4 mm <math>\varnothing</math></i></p>	<p><b>0832 SDISDLF</b></p>  <p><i>pencil point, extended, 0.8 mm <math>\varnothing</math></i></p>	<p><b>0832 BDIBDLF</b></p>  <p><i>pencil point, 1.0 mm <math>\varnothing</math></i></p>
<p><b>0832 YDIYDLF</b></p>  <p><i>chisel-shaped, 1.6 mm</i></p>	<p><b>0832 CDICDLF</b></p>  <p><i>chisel-shaped, 2.2 mm</i></p>	<p><b>0832 KDIKDLF</b></p>  <p><i>chisel-shaped, extended, 2.2 mm</i></p>
<p><b>0832 EDIEDLF</b></p>  <p><i>chisel-shaped, 3.2 mm</i></p>	<p><b>0832 VDIVDLF</b></p>  <p><i>chisel-shaped, 5.0 mm</i></p>	<p><b>0832FDLF</b></p>  <p><i>angled face, 2.0 mm <math>\varnothing</math></i></p>
<p><b>0832TDLF</b></p>  <p><i>angled face, 3.0 mm <math>\varnothing</math></i></p>	<p><b>0832NDLF</b></p>  <p><i>angled face, 4.0 mm <math>\varnothing</math></i></p>	<p><b>0832PW</b></p>  <p><i>PowerWell with concave portion</i></p>
<p><b>0832HD</b></p>  <p><i>SolderWell with concave portion, bent</i></p>	<p><b>0832AD</b></p>  <p><i>PLCC blade, 1.5 mm</i></p>	<p><b>0852OD</b></p>  <p><i>PLCC blade, 2.0 mm</i></p>
<p><b>0832WD</b></p>  <p><i>chisel-shaped, bent, 2.5 mm</i></p>	<p><b>0832RD</b></p>  <p><i>chisel-shaped, bent, 5.0 mm</i></p>	<p><b>0832GDLF</b></p>  <p><i>angled face, 14 mm, 35°</i></p>
<p><b>0832LDLF</b></p>  <p><i>angled face, 17 mm, 35°</i></p>	<p><b>0832MDLF</b></p>  <p><i>angled face on both sides, 8 mm</i></p>	



## 842 ERSADUR Long-Life Soldering Tip Series

For:

- **ANALOG 60 / 60 A**
- **ANALOG 80 / 80 A**
- **DIGITAL 80 A**
- **DIGITAL 2000 A**  
with Power Tool soldering iron
- **ELS 8000 / M / D**
- **MICRO-CON 60 iA**  
with Power Tool soldering iron
- **MS 6000**
- **MS 8000 / D**
- **Multi-Pro**
- **Multi-Sprint**
- **Multi-TC**
- **RDS 80**
- **TWIN 80 A**  
with Ergo Tool soldering iron

<p><b>0842UD / UDLF</b></p> <p>pencil point, extended, 0.4 mm <math>\phi</math></p>	<p><b>0842SD / SDLF</b></p> <p>pencil point, extended, 0.8 mm <math>\phi</math></p>	<p><b>0842BD / BDLF</b></p> <p>pencil point, 1.0 mm <math>\phi</math></p>
<p><b>0842YD / YDLF</b></p> <p>chisel-shaped, 1.6 mm</p>	<p><b>0842CD / CDLF</b></p> <p>chisel-shaped, 2.2 mm</p>	<p><b>0842KD / KDLF</b></p> <p>chisel-shaped, extended, 2.2 mm</p>
<p><b>0842ED / EDLF</b></p> <p>chisel-shaped, 3.2 mm</p>	<p><b>0842ID</b></p> <p>pencil point, bent, 0.4 mm <math>\phi</math></p>	<p><b>0842JD</b></p> <p>chisel-shaped, bent, 2.2 mm</p>



## 722 Desoldering Tip Series, ERSADUR / nickel-plated

For:

- **DIGITAL 2000 A**  
with X-Tool desoldering iron
- **XTOOLKIT1**
- **i-CON**
- **i-CON2**  
with X-Tool desoldering iron

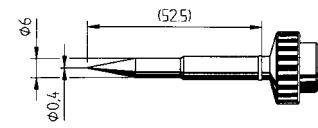
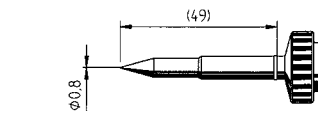
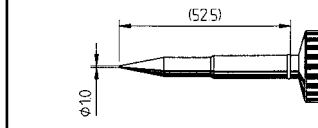
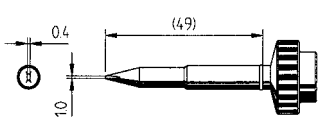
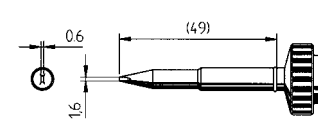
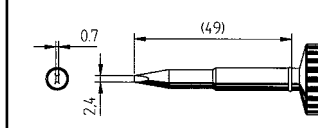
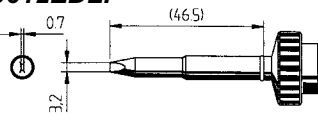
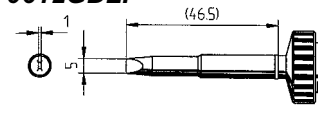
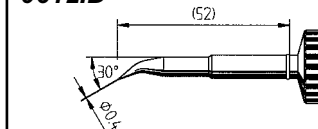
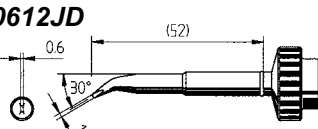
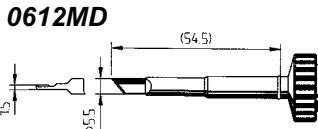
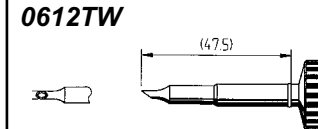
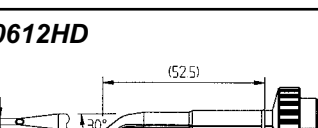
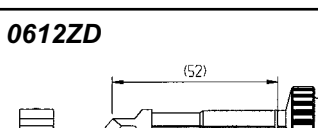
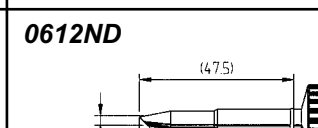
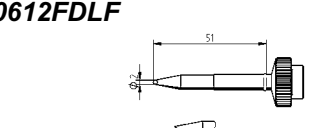
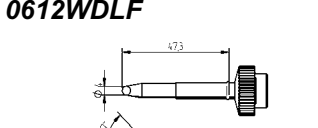
<p><b>0722ED1023</b></p> <p>ERSADUR, ID 1.0 mm, OD 2.3 mm</p>	<p><b>0722EN0615S</b></p> <p>nickel-plated, ID 0.6 mm, OD 1.5 mm</p>	<p><b>0722EN1018S</b></p> <p>nickel-plated, ID 1.0 mm, OD 1.8 mm</p>
<p><b>0722ED0821</b></p> <p>ERSADUR, ID 0.8 mm, OD 2.1 mm</p>	<p><b>0722EN0818</b></p> <p>nickel-plated, ID 0.8 mm, OD 1.8 mm</p>	<p><b>0722EN1020</b></p> <p>nickel-plated, ID 1.0 mm, OD 2.0 mm</p>
<p><b>0722ED1529</b></p> <p>ERSADUR, ID 1.5 mm, OD 2.9 mm</p>	<p><b>0722EN0823</b></p> <p>nickel-plated, ID 0.8 mm, OD 2.3 mm</p>	<p><b>0722EN1023</b></p> <p>nickel-plated, ID 1.0 mm, OD 2.3 mm</p>
<p><b>0722EN1223</b></p> <p>nickel-plated, ID 1.2 mm, OD 2.3 mm</p>	<p><b>0722EN1529</b></p> <p>nickel-plated, ID 1.5 mm, OD 2.9 mm</p>	<p><b>0722EN2332</b></p> <p>nickel-plated, ID 2.3 mm, OD 3.2 mm</p>
<p><b>0722ED1226</b></p> <p>ERSADUR, ID 1.2 mm, OD 2.6 mm</p>	<p><b>0722EN1548</b></p> <p>nickel-plated, ID 1.5 mm, OD 4.8 mm</p>	<p><b>0722EN2348</b></p> <p>nickel-plated, ID 2.3 mm, OD 4.8 mm</p>



For:

## 612 ERSADUR Long-Life Soldering Tip Series

- **CPS 60.10**
- **DIGITAL 60 A**
- **DIGITAL 2000 A**  
with Tech Tool soldering iron
- **MICRO-CON 60 iA**  
with Tech Tool soldering iron
- **i-CON**
- **i-CON2**  
with Chip Tool desoldering pincette

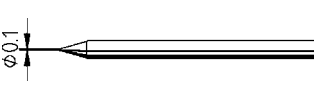
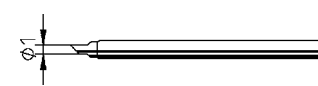
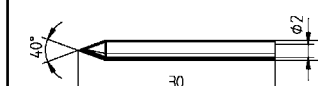
<p><b>0612SDLF</b></p>  <p>pencil point, 0.4 mm <math>\phi</math></p>	<p><b>0612UDLF</b></p>  <p>pencil point, 0.8 mm <math>\phi</math></p>	<p><b>0612BDLF</b></p>  <p>pencil point, 1.0 mm <math>\phi</math></p>
<p><b>0612CDLF</b></p>  <p>chisel-shaped, 1.0 mm</p>	<p><b>0612ADLF</b></p>  <p>chisel-shaped, 1.6 mm</p>	<p><b>0612KDLF</b></p>  <p>chisel-shaped, 2.4 mm</p>
<p><b>0612EDLF</b></p>  <p>chisel-shaped, 3.2 mm</p>	<p><b>0612GDLF</b></p>  <p>chisel-shaped, 5.0 mm</p>	<p><b>0612ID</b></p>  <p>pencil point, 4.0 mm <math>\phi</math>, bent 30°</p>
<p><b>0612JD</b></p>  <p>chisel-shaped, 1.6 mm, bent 30°</p>	<p><b>0612MD</b></p>  <p>PLCC blade, 1.5 mm</p>	<p><b>0612TW</b></p>  <p>ERSA TechWell with concave portion, 3.0 mm</p>
<p><b>0612HD</b></p>  <p>ERSA SolderWell with concave portion, 2.5 mm, bent 30°</p>	<p><b>0612ZD</b></p>  <p>WickTip 10.5 x 3.6 mm</p>	<p><b>0612ND</b></p>  <p>3.0 mm, bent 45°</p>
<p><b>0612FDLF</b></p>  <p>2.0 mm, bent 45°</p>	<p><b>0612WDLF</b></p>  <p>4.0 mm, bent 45°</p>	



For:

## 042 and 012 ERSADUR Long-Life Soldering Tip Series

- **Minor S (042 series)**
- **Minityp S (tip 0012BD)**

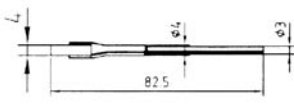
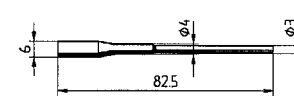
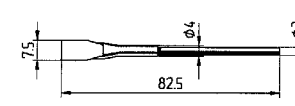
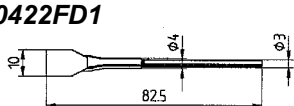
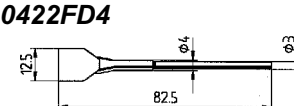
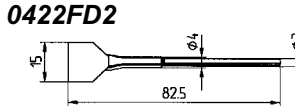
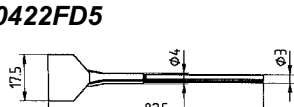
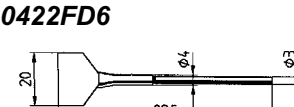
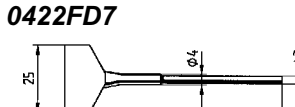
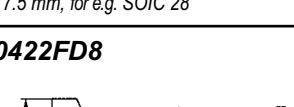
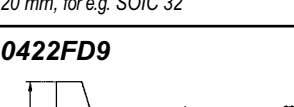
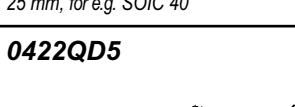
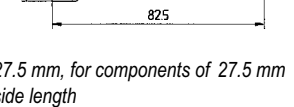
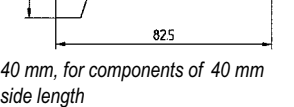
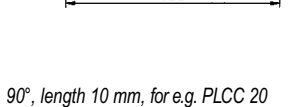
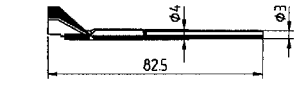
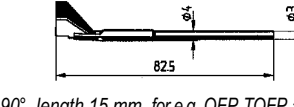
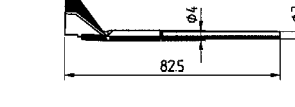
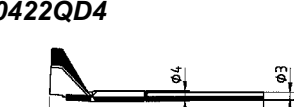
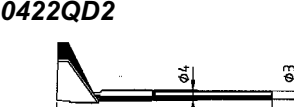

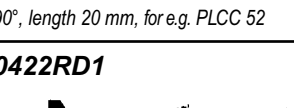
<p><b>0042BD</b></p>  <p>pencil point, 0.1 mm <math>\phi</math></p>	<p><b>0042LD</b></p>  <p>angled face, 1 mm</p>	<p><b>0012BD</b></p>  <p>pencil point</p>
--	--	--



## 422 ERSADUR Desoldering Tip Series

For:

- **DIGITAL 2000 A**  
with Chip Tool
- **MICRO-CON 60 iA**  
SMD Desoldering Pincette 40
- **REWORK 80**
- **SMD 8000**
- **SMT UNIT 60 AC / A**  
with Chip Tool /  
SMD Desoldering Pincette 40
- **i-CON**
- **i-CON2**  
with Chip Tool desoldering  
pincette

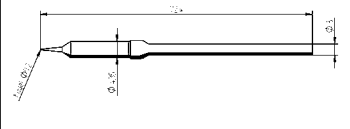
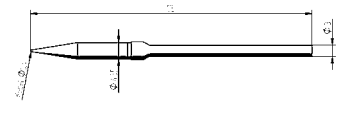
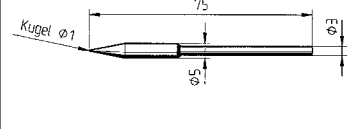
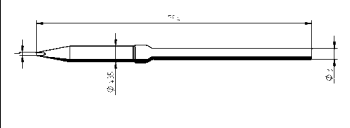
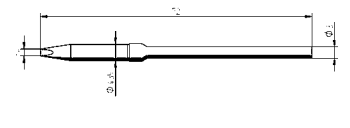
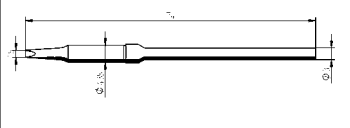
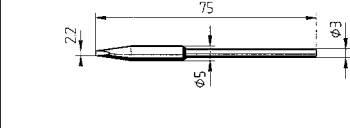
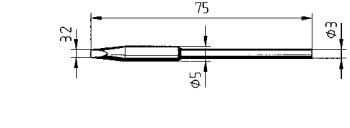
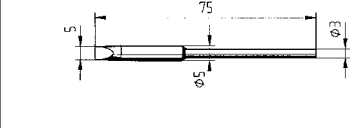
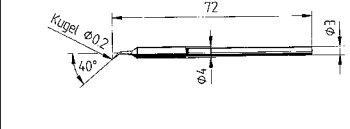

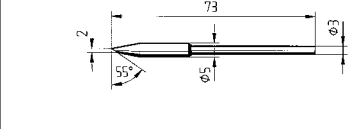
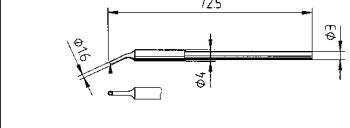
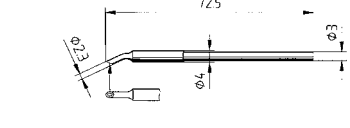
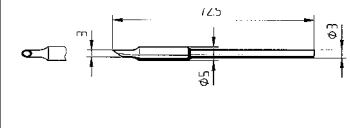
<p><b>0422FD10</b></p>  <p>4 mm, for e.g. SO 8 GT/14 GT/16GT</p>	<p><b>0422ED</b></p>  <p>6 mm, for e.g. SOIC 8</p>	<p><b>0422FD3</b></p>  <p>7,5 mm, for e.g. SOIC 12 / SOT 23</p>
<p><b>0422FD1</b></p>  <p>10 mm, for e.g. SOIC 16</p>	<p><b>0422FD4</b></p>  <p>12.5 mm, for e.g. SOIC 20</p>	<p><b>0422FD2</b></p>  <p>15 mm, for e.g. SOIC 24</p>
<p><b>0422FD5</b></p>  <p>17.5 mm, for e.g. SOIC 28</p>	<p><b>0422FD6</b></p>  <p>20 mm, for e.g. SOIC 32</p>	<p><b>0422FD7</b></p>  <p>25 mm, for e.g. SOIC 40</p>
<p><b>0422FD8</b></p>  <p>27.5 mm, for components of 27.5 mm side length</p>	<p><b>0422FD9</b></p>  <p>40 mm, for components of 40 mm side length</p>	<p><b>0422QD5</b></p>  <p>90°, length 10 mm, for e.g. PLCC 20</p>
<p><b>0422QD1</b></p>  <p>90°, length 12.5 mm, for e.g. PLCC 28</p>	<p><b>0422QD6</b></p>  <p>90°, length 15 mm, for e.g. QFP, TQFP and TQFP 0T25</p>	<p><b>0422QD3</b></p>  <p>90°, length 17.5 mm, for e.g. PLCC 44</p>
<p><b>0422QD4</b></p>  <p>90°, length 20 mm, for e.g. PLCC 52</p>	<p><b>0422QD2</b></p>  <p>90°, length 25 mm, for e.g. PLCC 68</p>	<p><b>0422QD7</b></p>  <p>90°, length 30 mm, for e.g. PLCC 84</p>
<p><b>0422RD1</b></p>  <p>length 22.5 x 16.5 mm, for e.g. QFP 100</p>	<p><b>0422RD2</b></p>  <p>length 15 x 12.5 mm, for e.g. PLCC 32</p>	<p><b>0422MD</b></p>  <p>ellipse, for MELF and MINIMELF</p>
<p><b>0422SD*</b></p>  <p>for MICROMELF</p>	<p><b>*Please note:</b></p> <p>The desoldering tips 0422SD must be used in combination with the tip turn protection set to ensure good results. Tip turn protection set for TC 40 desoldering pincette and desoldering pincette 40 on request.</p>	



For:

## 212 ERSADUR Long-Life Soldering Tip Series

- **ANALOG 20 A**
- **DIGITAL 2000 A**  
with Micro Tool soldering iron
- **MICRO-CON 60 iA**  
with Micro Tool soldering iron
- **REWORK 80**
- **SMD 8000**
- **SMT UNIT 60 A / AS**
- **TWIN 40 A / AS**
- **TWIN 80 A**  
with Micro Tool soldering iron

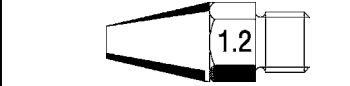
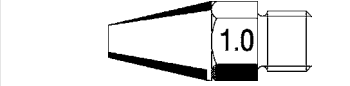
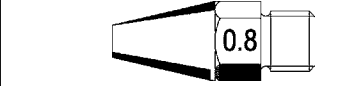
<p><b>0212SDLF</b></p>  <p>pencil point, 0.2 mm <math>\phi</math></p>	<p><b>0212BDLF</b></p>  <p>pencil point, 0.4 mm <math>\phi</math></p>	<p><b>0212ADLF</b></p>  <p>pencil point, 1.0 mm <math>\phi</math>, reinforced</p>
<p><b>0212CDLF</b></p>  <p>chisel-shaped, 1.0 mm</p>	<p><b>0212EDLF</b></p>  <p>chisel-shaped, 1.8 mm</p>	<p><b>0212KDLF</b></p>  <p>chisel-shaped, extended, 1.8 mm</p>
<p><b>0212FDLF</b></p>  <p>chisel-shaped, reinforced, 2.2 mm</p>	<p><b>0212GD</b></p>  <p>chisel-shaped, reinforced, 3.2 mm</p>	<p><b>0212VD</b></p>  <p>chisel-shaped, reinforced, 5.0 mm</p>
<p><b>0212RD</b></p>  <p>pencil point, bent, 0.2 mm</p>	<p><b>0212ID</b></p>  <p>bent, reinforced, 0.6 mm</p>	<p><b>0212ND</b></p>  <p>angled face, reinforced, 2.0 mm</p>
<p><b>0212WD</b></p>  <p>MiniMicroWell, 1.6 mm</p>	<p><b>0212MS</b></p>  <p>MicroWell, 2.3 mm</p>	<p><b>0212OD</b></p>  <p>SolderWell, 3.0 mm</p>



For:

## 662 Desoldering Tip Series

- **ELS 8000 / M / D**
- **ELS 8100**

<p><b>0662AE</b></p>  <p>ERSADUR, 1.2 mm <math>\phi</math> (solder joints w. medium heat requirements)</p>	<p><b>0662BE</b></p>  <p>ERSADUR, 1.0 mm <math>\phi</math> (solder joints w. medium heat requirements)</p>	<p><b>0662CE</b></p>  <p>ERSADUR, 0.8 mm <math>\phi</math> (solder joints w. medium heat requirements)</p>
---	--	---





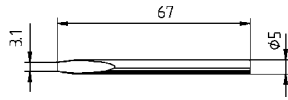


## 032 ERSADUR Long-Life Soldering Tip Series

For:

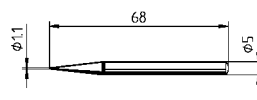
- ERS 30 S

0032KD



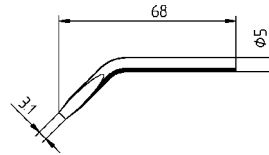
ERSADUR, chisel-shaped, 3.1 mm

0032BD



ERSADUR, pencil point, 1,1 mm  $\varnothing$

0032JD



ERSADUR, chisel-shaped, bent, 3.1 mm

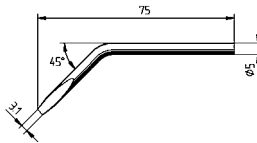


## 052 ERSADUR Long-Life Soldering Tip Series

For:

- ERS 50 S

0052JD



ERSADUR, chisel-shaped, bent, 3.1 mm

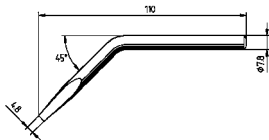


## 082 ERSADUR Long-Life Soldering Tip Series

For:

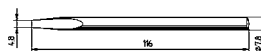
- ERS 80 S

0082JD



ERSADUR, chisel-shaped, bent, 4.8 mm

0082KD



ERSADUR, chisel-shaped, 4.8 mm

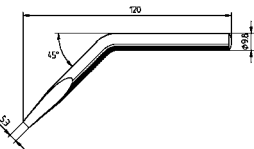


## 152 ERSADUR Long-Life Soldering Tip Series

For:

- ERS 150 S

0152JD



ERSADUR, chisel-shaped, bent, 5.3 mm

0152KD



ERSADUR, chisel-shaped, 5.3 mm

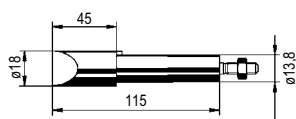


## 202, 302 and 552 Soldering Tip Series, ERSADUR / nickel-plated

For:

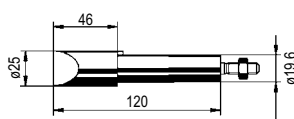
- ERS 200 (202 series)
- ERS 300 (302 series)
- ERS 550 (552 series)

0202MZ / 0202MD



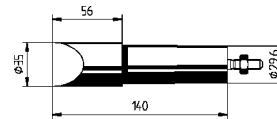
MZ: nickel-plated, MD: ERSADUR  
chisel-shaped, reinforced, 18 mm

0302MZ / 0302 MD



MZ: nickel-plated, MD: ERSADUR  
chisel-shaped, reinforced, 25 mm

0552MZ / 0552 MD



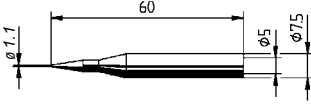
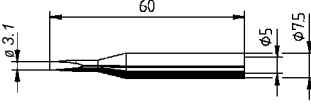
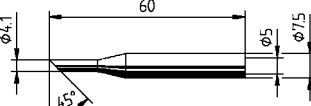
MZ: nickel-plated, MD: ERSADUR  
chisel-shaped, reinforced, 35 mm



**For:**

## 172 ERSADUR Long-Life Soldering Tip Series

• Multitip 25

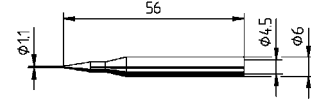
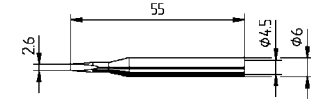
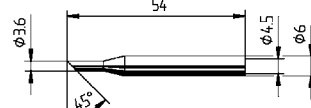
<p><b>0172BD</b></p>  <p>ERSADUR, pencil point, 1.1 mm <math>\phi</math></p>	<p><b>0172KD</b></p>  <p>ERSADUR, chisel-shaped, 3.1 mm</p>	<p><b>0172LD</b></p>  <p>ERSADUR, angled face 45°, 4.1 mm</p>
---	---	--



**For:**

## 162 ERSADUR Long-Life Soldering Tip Series

• Multitip 15  
• Tip 260

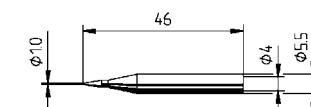
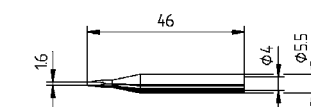
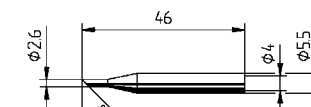
<p><b>0162BD</b></p>  <p>ERSADUR, pencil point, 1.1 mm <math>\phi</math></p>	<p><b>0162KD</b></p>  <p>ERSADUR, chisel-shaped, 2.6 mm</p>	<p><b>0162LD</b></p>  <p>ERSADUR, angled face 45°, 3.6 mm</p>
---	---	--



**For:**

## 132 ERSADUR Long-Life Soldering Tip Series

• Multitip 08

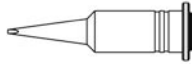
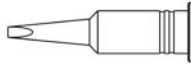
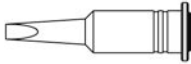
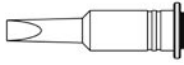

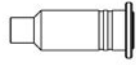
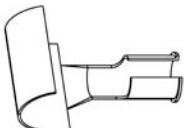

<p><b>0132BD</b></p>  <p>ERSADUR, pencil point, 1.0 mm <math>\phi</math></p>	<p><b>0132KD</b></p>  <p>ERSADUR, chisel-shaped, 1.6 mm</p>	<p><b>0132LD</b></p>  <p>ERSADUR, angled face 45°, 2.6 mm</p>
---	---	--



**For:**

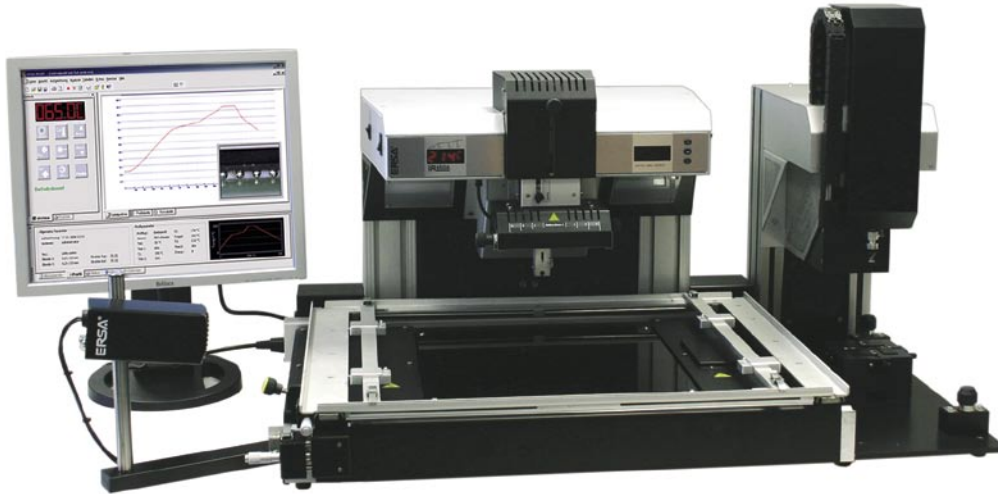
## G 072 and G 132 Soldering Tip Series

• Independent 75 gas soldering iron (G 072 series)  
• Independent 130 gas soldering iron (G 132 series)

<p><b>0G072CN / 0G132CN</b></p>  <p>chisel-shaped, 1.0 mm</p>	<p><b>0G072KN / 0G132KN</b></p>  <p>chisel-shaped, 2.4 mm</p>	<p><b>0G072AN / 0G132AN</b></p>  <p>chisel-shaped, 3.2 mm</p>
<p><b>0G072VN / 0G132VN</b></p>  <p>angled face, 4.8 mm</p>	<p><b>0G072BE / 0G132BE</b></p>  <p>flame nozzle</p>	<p><b>0G072HE / 0G132HE</b></p>  <p>hot gas nozzle</p>
<p><b>0G072RE / 0G132RE</b></p>  <p>deflector for hot gas nozzle G 072 HE / G 132 HE to shrink heat shrinkable sleeves</p>	<p><b>0G072MN / 0G132MN</b></p>  <p>hot blade</p>	



## ERSA IR Rework Systems



### ERSA IR / PL 650 A Rework System

The new ERSA IR / PL 650 A and IR 550 A plus rework systems are the latest additions to ERSA's world renowned and tremendously successful IR rework platform.

This third generation IR rework systems top their award-winning and patented predecessors by offering three new technological innovations: **DynamicIR**, **Multi-True-**

**Closed-Loop-Control** und **IntelligentIRS**. Benefitting from an installed base worldwide of more than 5,000 IR rework systems, ERSA's newest system was specifically designed to handle the most difficult rework applications on heavy-mass PCBs and large-format SMT assemblies (18 x 20 inch / 460 x 560 mm) in a lead-free environment. Ease of use, rapid rework cycle times,

widest variety of rework applications and lowest operational costs - these are the well-known user advantages of ERSA's IR rework systems.



Complete solutions for rework made by ERSA. Ask for our free catalogue.

## ERSA Inspection Systems



ERSASCOPE 2 plus

### ERSASCOPE Visual Inspection Systems

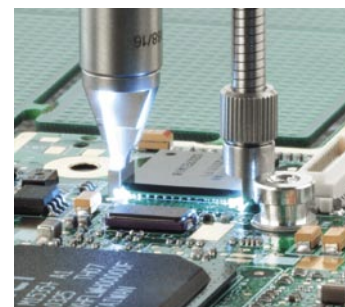
In 1999, the patented ERSASCOPE was the first visual inspection system which finally made destruction-free inspection of soldering joints beneath a BGA a reality. Under the motto **"To See is to Survive"** this revolutionary technology not only won all of the industry's most significant innovation awards around the globe, but also

allowed previously undetected problems to be discovered, analyzed and corrected at nearly 2,000 of the world's leading manufacturers.

Lead-free implementation will require manufacturers to seriously re-examine their QA procedures, because getting the lead-free

process under control in the initial stages will simply be more difficult.

**The bottom line is that higher process temperatures and smaller process windows associated with lead-free will require a much more thorough first article inspection. Manual optical inspection systems will require higher magnification and a flexible viewing angle from 0° to 90°. ERSASCOPE inspection is no longer an option, but rather a lead-free requirement!**



ERSASCOPE inspection of components



Complete solutions for visual solder joint inspection made by ERSA. Ask for our free catalogue.

# The Complete ERSA Line. Professional Solutions for State-of-the-Art Electronics Production



## Selective soldering



## Visual inspection



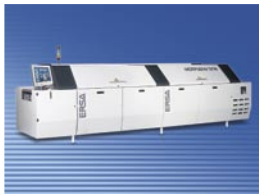
## Wave soldering



## SMT/BGA Rework



## Reflow soldering



## Process software



[www.ersa.com](http://www.ersa.com)



Over 70 ERSA agencies are located in more than 65 countries.

### Headquarters

#### ERSA GmbH

Leonhard-Karl-Str. 24  
97877 Wertheim / Germany  
Phone: +49 (0) 9342 / 800-0  
Fax: +49 (0) 9342 / 800-127  
e-mail: [info@ersa.de](mailto:info@ersa.de)  
[www.ersa.de](http://www.ersa.de)

### America

#### Kurtz North America, Inc.

1779 Pilgrim Road  
Plymouth, WI 53073  
USA  
Phone: 800 363 3772  
Fax: +1 920 893 3322  
e-mail: [infoersa@kna.net](mailto:infoersa@kna.net)  
[www.ersa.com](http://www.ersa.com)

### Asia

#### Kurtz Far East Ltd.

Suite 3505, 35/F.,  
China Resources Building  
26 Harbour Road, Wan Chai  
Hong Kong  
Tel.: +852 2331 2232  
Fax: +852 2758 7749  
e-mail: [kurtz@kfe.com.hk](mailto:kurtz@kfe.com.hk)  
[www.ersa.com](http://www.ersa.com)

Room 601, 6th Fl. Beethoven Plaza  
No. 1158, Chang Ning Road  
Shanghai 200051  
China  
Tel.: +86 (21) 5241 6000  
Fax: +86 (21) 5241 9918  
e-mail: [kurtz@kurtz.com.cn](mailto:kurtz@kurtz.com.cn)  
[www.ersa.com](http://www.ersa.com)



Lead-free soldering, inspection or rework: ERSA solutions for a safe process.

Ask for the latest issue of the ERSA multimedia Demo DVD!