




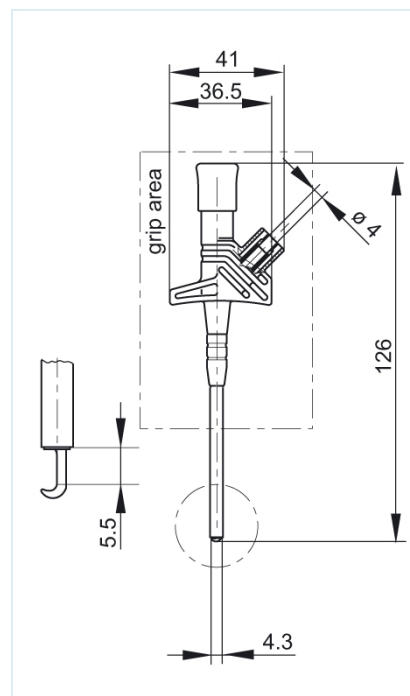
KLEPS 2900 schwarz/black

Industrial Connectors:Measuring and Testing Equipment:Clamp-type test probes:4 mm safety system

Product description

Description	Safety clamp-type test probe with rigid hook to ensure secure clamping of eyes, pins, wires and boards. 4 mm brass socket connection.Connects with safety measuring leads.
Type	KLEPS 2900 schwarz/black
Order No.	972 309-100
System	4 mm safety system
Clamping range	5.5 mm
Clamp type	hook
Housing Color	black
Color types	
Other standard types	red color, order no. 972 309-101

Drawing



Technical data

Type of contact	socket
Type of termination	4 mm socket
Standard	IEC 61010
Rated voltage	AC/DC 1000 V
Measurement Category	CAT III

Rated current	20 A
Contact resistance	50 mOhm
Certificates	CE
Material	
Contact material	stainless steel
Contact surface material	nickel-plated
Housing material	PBT
Environmental conditions	
Temperature range	-25 °C to +80 °C
Inflammability class	
Housing	94 HB