




## KLEPS 30 rot/red

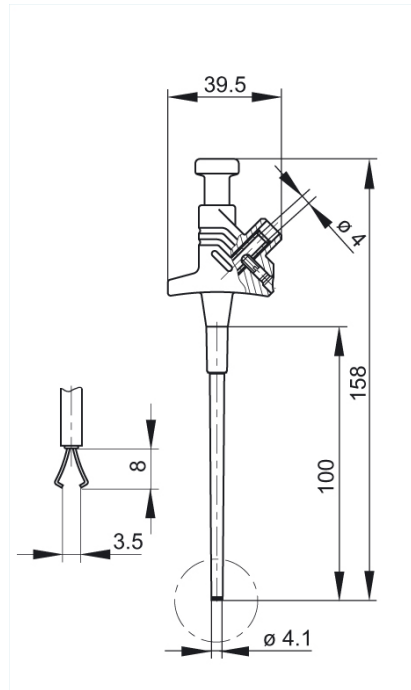
Industrial Connectors:Measuring and Testing Equipment:Clamp-type test probes:4 mm system

### Product description

**Description** Clamp-type test probe with rotating grip jaws and flexible shaft. The special form of the grip jaws allows clamping of pins and wires up to a maximum of 4 mm diameter. 4 mm diameter brass socket connection with side screw, grip jaws additionally nickel-plated.

<b>Type</b>	KLEPS 30 rot/red
<b>Order No.</b>	930 113-101
<b>System</b>	4 mm system
<b>Clamping range</b>	4 mm
<b>Clamp type</b>	rotating grip jaws
<b>Housing Color</b>	red
<b>Color types</b>	
<b>Other standard types</b>	black color, order no. 930 113-100

### Drawing



### Technical data

<b>Type of contact</b>	socket, screw connection
<b>Type of termination</b>	4 mm socket, screw
<b>Rated voltage</b>	DC 60 V
<b>Contact resistance</b>	50 mOhm

### Material

Contact material	spring steel wire
Contact surface material	nickel-plated
Housing material	PF
<b>Environmental conditions</b>	
Temperature range	-25 °C to +80 °C
<b>Inflammability class</b>	
Housing	94 HB