



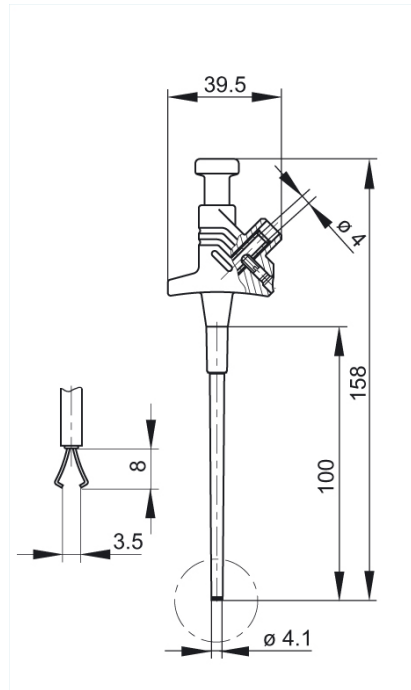
## KLEPS 30 schwarz/black

Industrial Connectors:Measuring and Testing Equipment:Clamp-type test probes:4 mm system

### Product description

|                      |  |
|----------------------|--|
| Description          | Clamp-type test probe with rotating grip jaws and flexible shaft. The special form of the grip jaws allows clamping of pins and wires up to a maximum of 4 mm diameter. 4 mm diameter brass socket connection with side screw, grip jaws additionally nickel-plated. |
| Type                 | KLEPS 30 schwarz/black   |
| Order No.            | 930 113-100  |
| System               | 4 mm system  |
| Clamping range       | 4 mm   |
| Clamp type           | rotating grip jaws   |
| Housing Color        | black  |
| Color types          | ● ●  |
| Other standard types | red color,<br>order no. 930 113-101  |

### Drawing



### Technical data

|                     |                          |
|---------------------|--------------------------|
| Type of contact     | socket, screw connection |
| Type of termination | 4 mm socket, screw       |
| Rated voltage       | DC 60 V                  |
| Contact resistance  | 50 mOhm                  |

### Material

|                                 |                   |
|---------------------------------|-------------------|
| Contact material                | spring steel wire |
| Contact surface material        | nickel-plated     |
| Housing material                | PF                |
| <b>Environmental conditions</b> |                   |
| Temperature range               | -25 °C to +80 °C  |
| <b>Inflammability class</b>     |                   |
| Housing                         | 94 HB             |