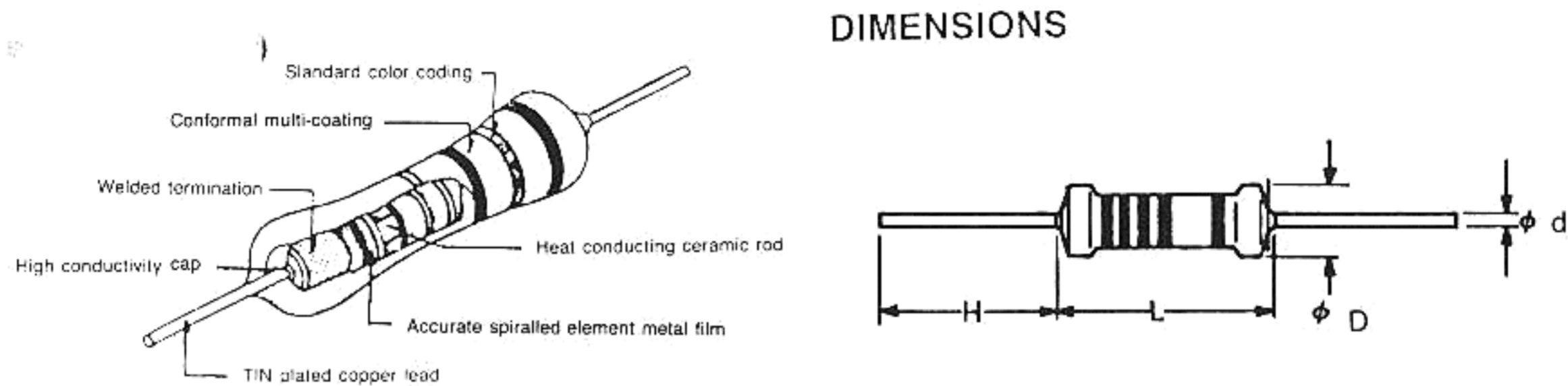


# METAL FILM FIXED RESISTORS

## INTRODUCTION

MF series is a group of metal film-fixed resistors applying high Aluminum content base material vacuum sputtered by Ni-Cr alloy and excellent heat- and wet-proof special resin for protective coating. Those resistors are manufactured through integrated automatic production system and then have good stable and uniform property. Furthermore, they show excellent performance regardless open in air.



DIMENSIONS

## GENERAL SPECIFICATIONS

| MIL STYLE | STYLE  | POWER RATING (W) |        | DIMENSION (mm) |           |        |             | MAX WORKING VOLTAGE |       | MAX OVERLOAD VOLTAGE |       |
|-----------|--------|------------------|--------|----------------|-----------|--------|-------------|---------------------|-------|----------------------|-------|
|           |        | 70°C             | 125°C  | L              | D         | H(MIN) | d           | 70°C                | 125°C | 70°C                 | 125°C |
| RN-50     | MF-12  | 0.125W           | 0.05W  | 3.7 ± 0.4      | 1.5 ± 0.2 | 25     | 0.45 ± 0.03 | 200                 | 150   | 400                  | 300   |
| RN-50     | MF-16  | 0.125W           | 0.05W  | 3.7 ± 0.4      | 1.5 ± 0.2 | 25     | 0.45 ± 0.03 | 200                 | 150   | 400                  | 300   |
| RN-55     | MF-25  | 0.25W            | 0.1W   | 6.5 ± 0.5      | 2.3 ± 0.2 | 25     | 0.50 ± 0.05 | 250                 | 200   | 500                  | 400   |
| RN-60     | MF-50  | 0.5W             | 0.125W | 9.0 ± 1        | 3.5 ± 0.5 | 25     | 0.55 ± 0.05 | 350                 | 250   | 700                  | 500   |
| RN-65     | MF-100 | 1W               | 0.25W  | 12 ± 1.0       | 4.5 ± 0.5 | 25     | 0.75 ± 0.05 | 500                 | 300   | 1000                 | 600   |
| RN-70     | MF-200 | 2W               | 0.5W   | 16 ± 1.0       | 5.5 ± 0.5 | 25     | 0.75 ± 0.05 | 500                 | 350   | 1000                 | 700   |

## RESISTANCE RANGE

| STYLE          | MIL STYLE | TOLERANCE                           | TC ± 25PPM/°C  | TC ± 100PPM/°C<br>TC ± 50PPM/°C           | TC ± 200PPM/°C |
|----------------|-----------|-------------------------------------|--|---|----------------|
| MF-12<br>MF-16 | RN-50     | ± 1%<br>± 0.5%<br>± 0.25%<br>± 0.1% | 100Ω-100KΩ<br>100Ω-100KΩ<br>100Ω-100KΩ<br>100Ω-100KΩ   | 51.1Ω-511KΩ<br>51.1Ω-511KΩ<br>51.1Ω-511KΩ | 5.11Ω - 5.11M  |
| MF-25          | RN-55     | ± 1%<br>± 0.5%<br>± 0.25%<br>± 0.1% | 51.1Ω-511KΩ<br>51.1Ω-511KΩ<br>100Ω-330KΩ<br>100Ω-100KΩ | 5.11Ω-2.4MΩ<br>5.11Ω-2.4MΩ                | 5.11Ω - 5.11M  |
| MF-50          | RN-60     | ± 1%<br>± 0.5%<br>± 0.25%<br>± 0.1% | 51.1Ω-1MΩ<br>51.1Ω-1MΩ<br>100Ω-511KΩ<br>100Ω-330KΩ     | 5.11Ω-2.4MΩ<br>5.11Ω-2.4MΩ<br>5.11Ω-2.4MΩ | 5.11Ω - 5.11M  |
| MF-100         | RN-65     | ± 1%<br>± 0.5%<br>± 0.25%<br>± 0.1% | 51.1Ω-1MΩ<br>51.1Ω-1MΩ<br>100Ω-511KΩ<br>100Ω-330KΩ     | 5.11Ω-2.4MΩ<br>5.11Ω-2.4MΩ                | 5.11Ω - 5.11M  |
| MF-200         | RN-70     | ± 1%<br>± 0.5%<br>± 0.25%<br>± 0.1% | 51.1Ω-1MΩ<br>51.1Ω-1MΩ<br>100Ω-511KΩ<br>100Ω-330KΩ     | 5.11Ω-5.11MΩ<br>5.11Ω-5.11MΩ              | 5.11Ω - 5.11M  |